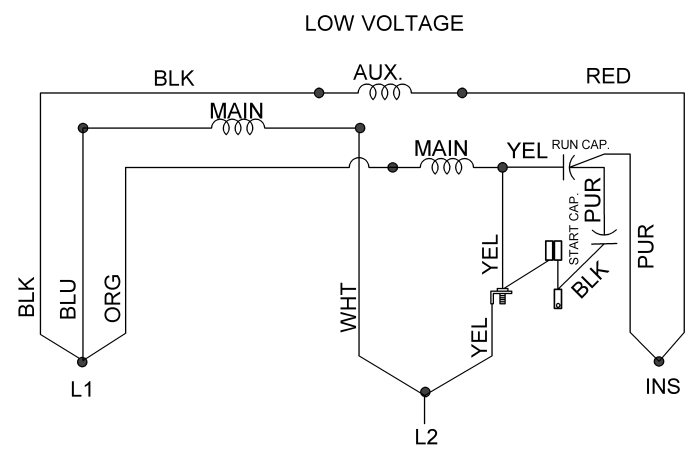
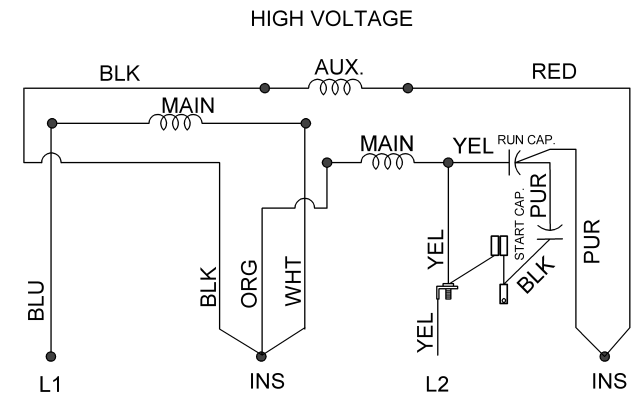


VIEWING LEAD END



TO REVERSE ROTATION, INTERCHANGE RED AND BLACK LEADS

REV A

REFER TO SEIM 24-1

NIDEC CONFIDENTIAL  
NIDEC MOTOR CORPORATION 24-Sep-13

REVISION DESCRIPTION FOR: C8396-05	SCALE: NONE	UNITS: INCHES	TITLE: DIAGRAM OF CONNECTIONS	NIDEC MOTOR CORPORATION
UPDATED BACKGROUND FROM EMERSON TO NIDEC. CONVERTED DRAWING FROM MACROSTATION TO SOLID EDGE	TOLERANCES ON DIMENSIONS (UNLESS OTHERWISE SPECIFIED)		ISSUED BY: R. GUZMAN APPROVED BY: J.I. SALAZAR	REVISION DATE: 24-SEP-13
MATERIAL:	INCHES	mm		REV: A
	.XX = ± .01		CODE: D04	DWG NO.: 734365
	.XXX = ± .005			DWG SIZE: B
	ANGLES: X° = ±1°			