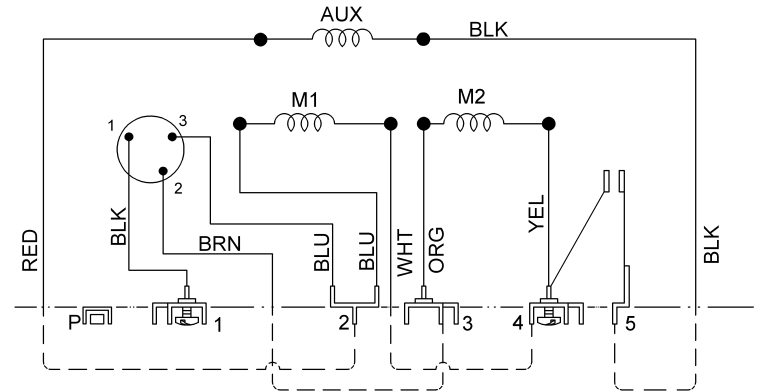
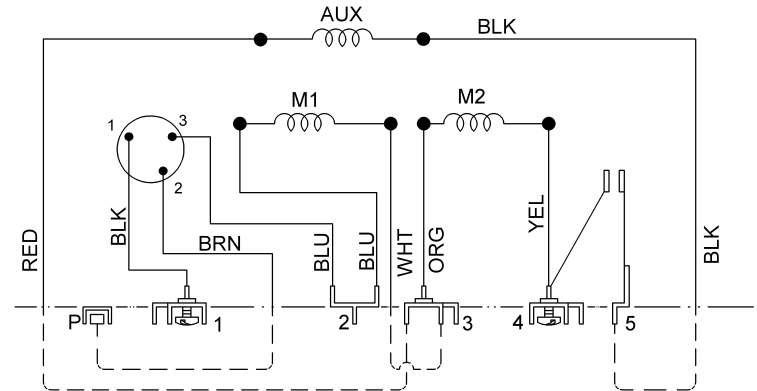


CONNECTED FOR LOW VOLTAGE



CONNECTED FOR HIGH VOLTAGE



ROTATION: CCW SWITCH END REVERSIBLE TO REVERSE ROTATION INTERCHANGE BLACK AND RED LEADS

S 4P DUAL VOLTAGE REV WITH PROT



REVISION DESCRIPTION FOR: C8396-14	SCALE: NONE	UNITS: IN	TITLE: DIAGRAM OF CONNECTIONS	NIDEC MOTOR CORPORATION
UPDATED BACKGROUND TO NIDEC	TOLERANCES ON DIMENSIONS (UNLESS OTHERWISE SPECIFIED)		ISSUED BY: A. SANCHEZ	
MATERIAL:	INCHES .XX = ±.01	mm ±.005	APPROVED BY: J.I. SALAZAR	REVISION DATE: 23-SEP-13
	XXX = ±.005	ANGLES X° = ±1°	CODE: D04	DWG NO.: 770467
			REV: A	SHEET NUMBER: 1 OF 1
				DWG SIZE: B

NIDEC CONFIDENTIAL
NIDEC MOTOR CORPORATION 23-Sep-13

MUST BE COMPLIANT TO ROHS DIRECTIVE EU 2002/95/IEC AND REGULATION EC 1907/2006 (REACH) AS AMENDED