

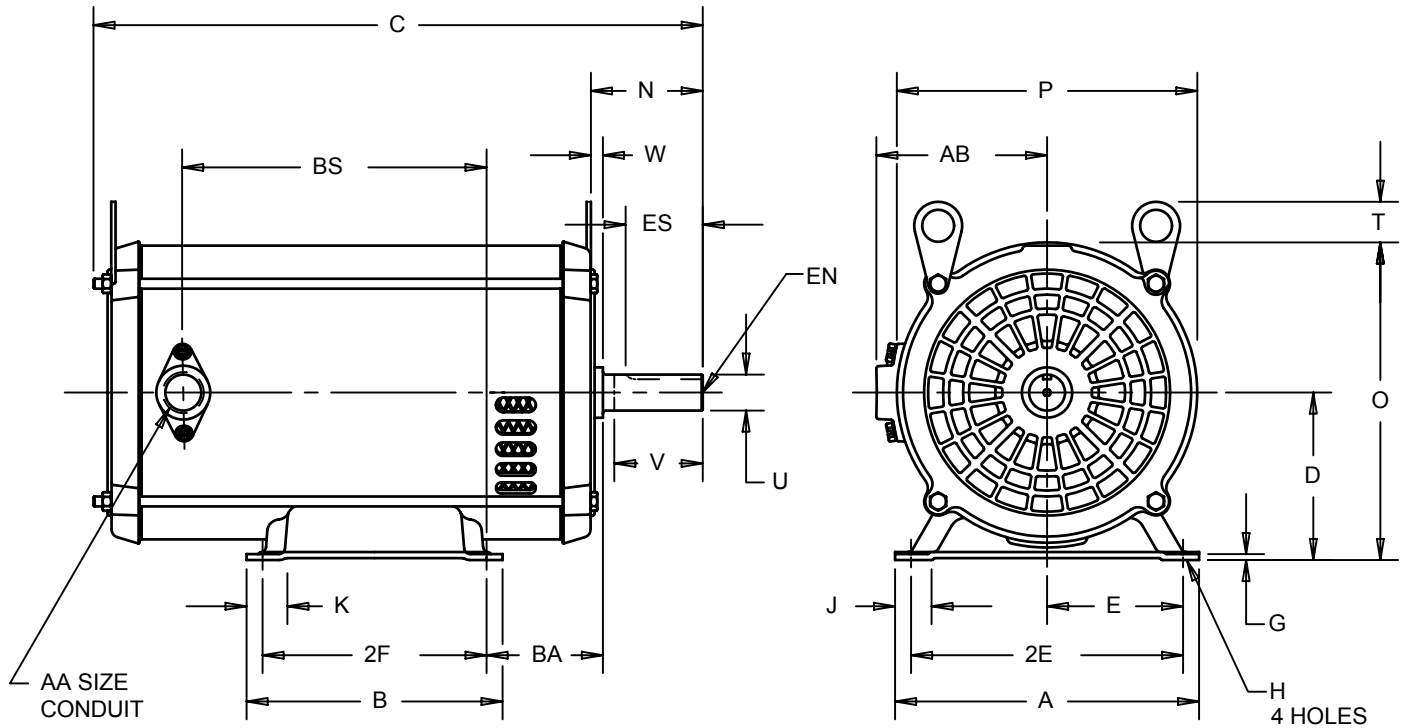
EFFECTIVE:
05-JUL-11

HORIZONTAL MOTORS
FARM DUTY - SINGLE PHASE
FRAME: 215TZ
BASIC TYPE: DMA

PRINT:
07-1443

SUPERSEDES:
01-JAN-93

SHEET:
1 OF 1



ALL DIMENSIONS ARE IN INCHES AND MILLIMETERS

UNITS	A	B	C	D -.06	E	2E	2F	G	H	J	K	N	O	P ²
IN	9.50	8.00	20.38	5.25	4.25	8.50	7.00	.19	.44	1.06	1.06	3.25	9.97	9.44
MM	241	203	518	133	108	216	178	5	11	27	27	83	253	240

UNITS	T	U -.0005	V MIN	W	AA	AB	BA	BS	EN ³	ES MIN	SQ KEY
IN	1.25	1.1250	3.00	.13	.75	5.34	3.50	10.72	0.250-20 UNC X 1.00	2.00	.250
MM	32	28.575	76	3		136	89	272		51	6.35

- 1: ALL ROUGH CASTING DIMENSIONS MAY VARY BY .25" DUE TO CASTING AND / OR FABRICATION VARIATIONS.
- 2: LARGEST MOTOR WIDTH.
- 3: TAP SIZE AND BOLT PENETRATION ALLOWANCE.
- 4: TOLERANCE SHOWN ARE IN INCHES ONLY.

07-1443/A

Nidec Motor Corporation
St. Louis, Missouri

INFORMATION DISCLOSED ON THIS DOCUMENT IS CONSIDERED PROPRIETARY AND SHALL NOT BE REPRODUCED OR DISCLOSED WITHOUT WRITTEN CONSENT OF NIDEC MOTOR CORPORATION



ISSUED BY
A. HINGANKAR
APPROVED BY
R. KING

IHP_DP_NMCA (MAR-2011) SOLIDEDGE