

EFFECTIVE:  
03-OCT-20

SUPERSEDES:  
01-JUN-11

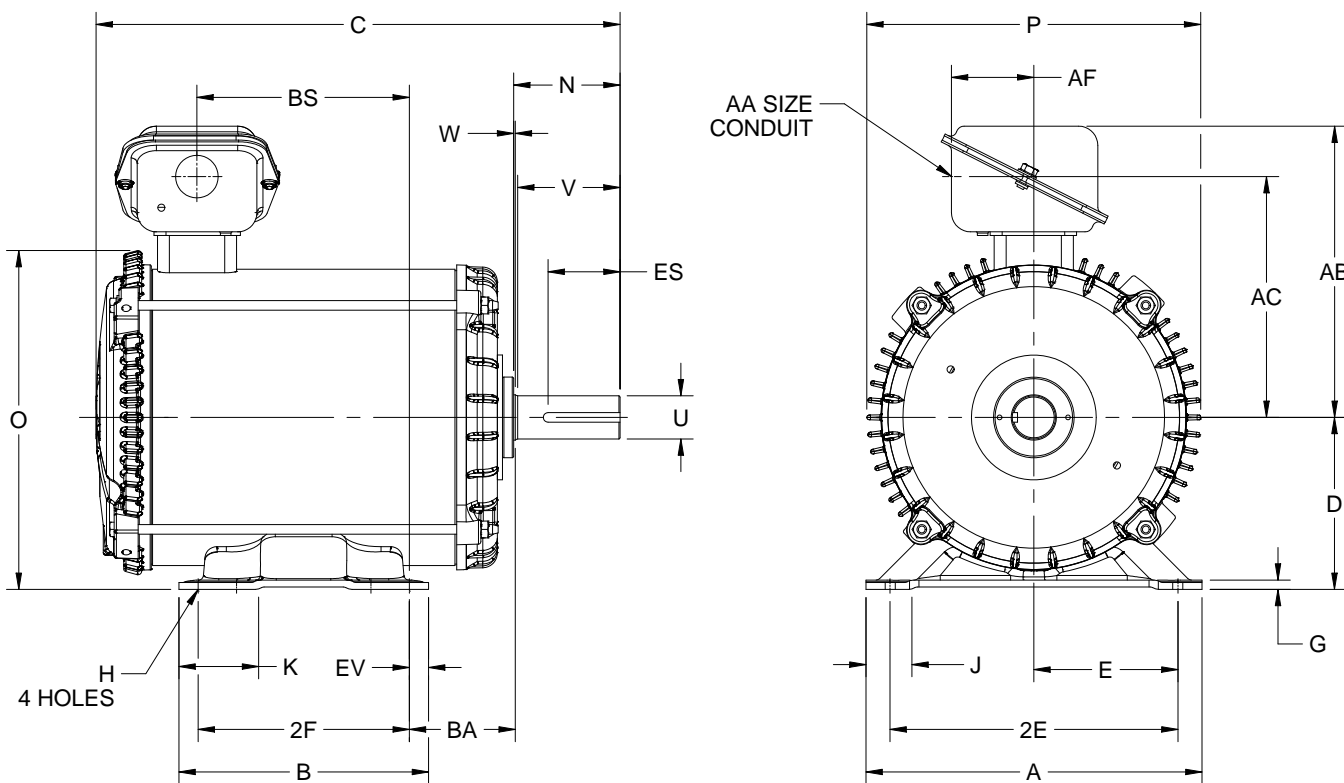
# DIMENSION PRINT

TEAO

FRAME: 180T  
BASIC TYPE: FSN

PRINT:  
07-2586

SHEET:  
1 OF 1



ALL DIMENSIONS ARE IN INCHES AND MILLIMETERS

| UNITS | A    | B    | D<br>-.06 | E    | 2E<br>±.03 | G   | H<br>±.05 | J    | K    | N    | O    | P <sup>2</sup> |
|-------|------|------|-----------|------|------------|-----|-----------|------|------|------|------|----------------|
| IN    | 8.25 | 6.50 | 4.50      | 3.75 | 7.50       | .18 | .44       | 1.13 | 2.00 | 2.88 | 8.88 | 8.75           |
| MM    | 222  | 165  | 114       | 95   | 191        | 5   | 11        | 29   | 51   | 73   | 226  | 222            |

| UNITS | U<br>-.0005 | V<br>MIN | W   | AA  | AB   | AC   | AF   | BA<br>±.09 | ES<br>MIN | EV  | SQ<br>KEY |
|-------|-------------|----------|-----|-----|------|------|------|------------|-----------|-----|-----------|
| IN    | 1.1250      | 2.56     | .13 | .75 | 7.44 | 6.19 | 2.13 | 2.75       | 1.78      | .50 | .250      |
| MM    | 28.575      | 65       | 3   |     | 189  | 157  | 54   | 70         | 45        | 13  | 6.35      |

| FRAME | UNITS | C     | 2F<br>±.03 | BS   |
|-------|-------|-------|------------|------|
| 182T  | IN    | 12.88 | 4.50       | 4.69 |
|       | MM    | 327   | 114        | 119  |
| 184T  | IN    | 13.88 | 5.50       | 5.69 |
|       | MM    | 353   | 140        | 145  |

1. DIMENSIONS MAY VARY .25" DUE TO CASTING AND/OR FABRICATION VARIATIONS.
2. LARGEST MOTOR WIDTH.
3. CONDUIT OPENING MAY BE LOCATED IN STEPS OF 90° . STANDARD AS SHOWN.
4. TOLERANCES ARE SHOWN IN INCHES ONLY.
5. FRAME REFERENCE: 7.250/182/8.250/184

07-2586/B

**Nidec Motor Corporation**  
St. Louis, Missouri

INFORMATION DISCLOSED ON THIS DOCUMENT IS CONSIDERED PROPRIETARY AND SHALL NOT BE REPRODUCED OR DISCLOSED WITHOUT WRITTEN CONSENT OF NIDEC MOTOR CORPORATION



ISSUED BY  
**L. ARROYO**  
APPROVED BY  
**G. MARTINEZ**

IHP\_DP\_NMCA (MAR-2011) SOLIDEDGE