

EFFECTIVE:  
**13-JUN-11**

SUPERSEDES:  
**13-FEB-09**

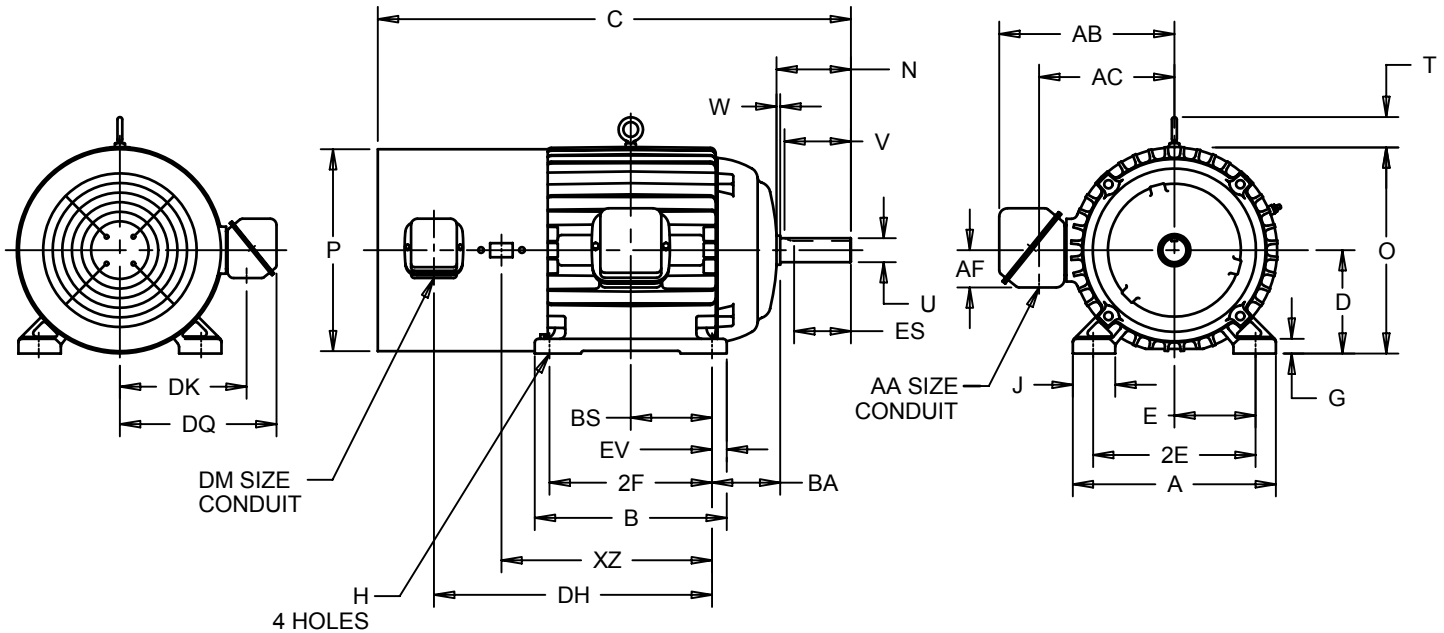
# HORIZONTAL MOTORS

## VECTOR CONTROL

FRAME: 284, 286 T  
BASIC TYPE: CTI

PRINT:  
**07-2786**

SHEET:  
**1 OF 1**



ALL DIMENSIONS ARE IN INCHES AND MILLIMETERS

UNITS	A	B	C	D -.06	E	2E ±.03	G	H +.05	J	N	O
IN	13.75	13.00	35.69	7.00	5.50	11.00	1.00	.53	2.88	5.00	14.00
MM	349	330	907	178	140	279	25	13	73	127	356

UNITS	P <sup>2</sup>	T	U -.001	V MIN	W	AA	AB	AC	AF	BA
IN	14.00	2.03	1.875	4.38	.38	2.00	13.07	9.69	3.25	4.75
MM	356	52	47.63	111	10		332	246	83	121

UNITS	BS	DH	DK	DM	DQ	ES MIN	EV	XZ	SQ KEY
IN	5.50	22.38	8.44	.75 NPT	10.06	3.28	1.00	17.63	.500
MM	140	568	214		256	83	25	448	12.70

FRAME	UNITS	2F ±.03
284T	IN	9.50
	MM	241
286T	IN	11.00
	MM	279

- 1: ALL ROUGH DIMENSIONS MAY VARY .25" DUE TO CASTING AND/OR FABRICATION VARIATIONS.
- 2: LARGEST MOTOR WIDTH.
- 3: TOLERANCES SHOWN ARE IN INCHES ONLY.
- 4: STANDARD ASSEMBLY POSITION F-1 IS SHOWN F-2 IS PROVIDED WHEN SPECIFIED. CONDUIT OPENINGS MAY BE LOCATED IN STEPS OF 90° REGARDLESS OF LOCATION. STANDARD AS SHOWN WITH CONDUIT OPENING DOWN

07-2786/A

**Nidec Motor Corporation**  
St. Louis, Missouri

INFORMATION DISCLOSED ON THIS DOCUMENT  
IS CONSIDERED PROPRIETARY AND SHALL NOT BE  
REPRODUCED OR DISCLOSED WITHOUT WRITTEN  
CONSENT OF NIDEC MOTOR CORPORATION



ISSUED BY  
**A. HINGANKAR**  
APPROVED BY  
**R. KING**

IHP\_DP\_NMCA (MAR-2011) SOLIDEDGE