

EFFECTIVE:
19-AUG-20

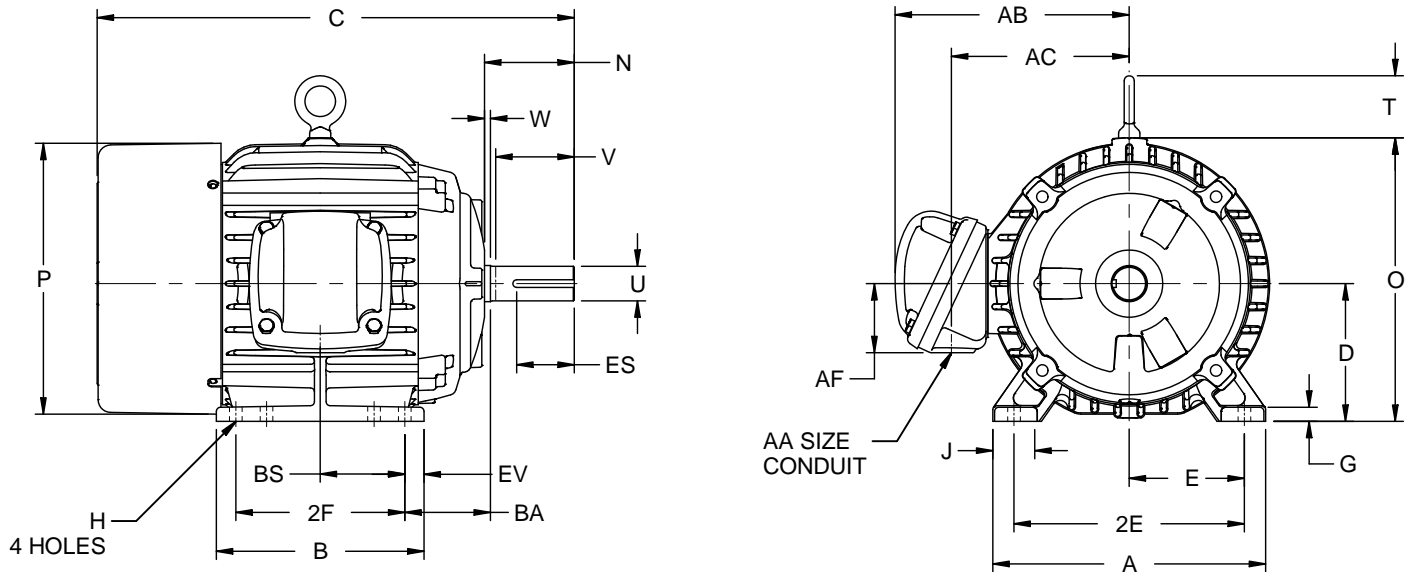
DIMENSION PRINT

PRINT:
07-2805

SUPERSEDES:
29-JAN-15

FRAME: 180T
BASIC TYPE: L, N

SHEET:
1 OF 1



ALL DIMENSIONS ARE IN INCHES AND MILLIMETERS

UNITS	A	B	C	D -.06	E	2E ±.03	G	H +.05	J	N	O
IN	8.88	6.75	15.53	4.50	3.75	7.50	.50	.41	1.44	2.91	9.22
MM	226	171	394	114	95	191	13	10	37	74	234

UNITS	P ²	T	U -.0005	V MIN	W	AA	AB	AC	AF	BA	BS
IN	9.13	2.03	1.1250	2.50	.19	3/4 NPT	7.62	5.79	2.25	2.75	2.75
MM	232	52	28.575	64	5		194	176	57	70	70

UNITS	ES MIN	EV	SQ KEY
IN	1.78	.63	.250
MM	45	16	6.35

FRAME	UNITS	2F ±.03
182T	IN	4.50
	MM	114
184T	IN	5.50
	MM	140

1. ALL ROUGH CASTING DIMENSIONS MAY VARY BY .25" DUE TO CASTING AND/OR FABRICATION VARIATIONS.
2. LARGEST MOTOR WIDTH.

3. CONDUIT BOX MAY BE LOCATED ON EITHER SIDE OF MOTOR. CONDUIT OPENINGS MAY BE LOCATED IN STEPS OF 90 DEGREES REGARDLESS OF LOCATION. STANDARD AS SHOWN WITH CONDUIT OPENING DOWN.
4. TOLERANCES SHOWN ARE IN INCHES ONLY.

07-2805/C

Nidec Motor Corporation
St. Louis, Missouri

INFORMATION DISCLOSED ON THIS DOCUMENT IS CONSIDERED PROPRIETARY AND SHALL NOT BE REPRODUCED OR DISCLOSED WITHOUT WRITTEN CONSENT OF NIDEC MOTOR CORPORATION



ISSUED BY
R. MARTINEZ
APPROVED BY
C. CAMPILLO

IHP_DP_NMCA (MAR-2011) SOLIDEDGE