

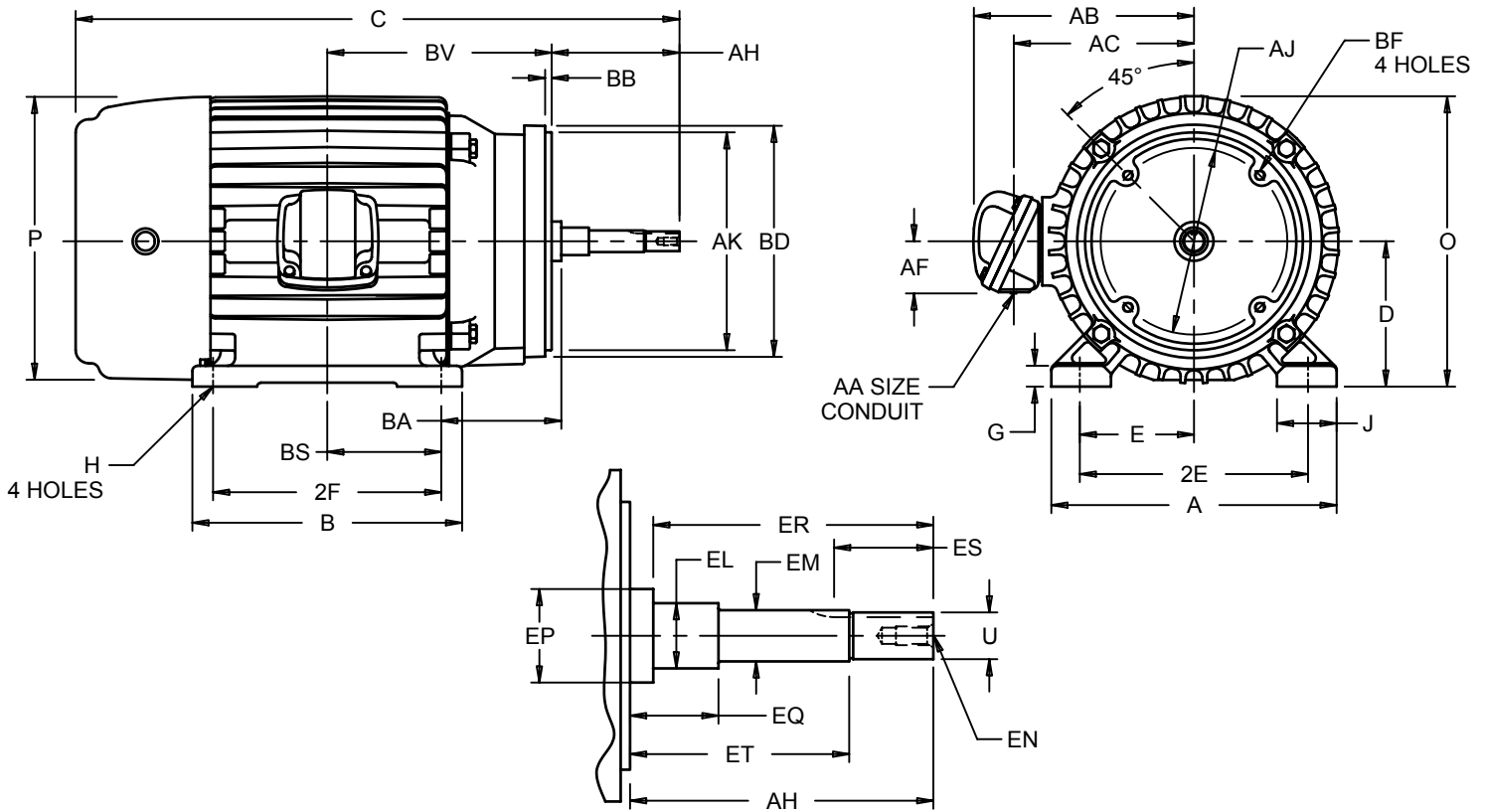
EFFECTIVE:  
**14-JUN-11**

SUPERSEDES:  
**02-APR-09**

**HORIZONTAL MOTORS**  
EXPLOSION PROOF - CLOSE COUPLED PUMP  
FRAME: 182, 184JM  
BASIC TYPE: L-4

PRINT:  
**07-2816**

SHEET:  
**1 OF 1**



ALL DIMENSIONS ARE IN INCHES AND MILLIMETERS

| UNITS | A    | B    | C     | D   | E    | 2E   | G    | H    | J    | O    | P <sup>2</sup> |
|-------|------|------|-------|-----|------|------|------|------|------|------|----------------|
| IN    | 8.88 | 6.75 | 18.38 | -06 | 4.50 | 7.50 | 0.63 | 0.41 | 1.50 | 9.38 | 9.50           |
| MM    | 226  | 171  | 467   | 114 | 95   | 191  | 16   | 10   | 38   | 238  | 241            |

| UNITS | U      | AA      | AB   | AC   | AF   | AH   | AJ     | AK     | BA   | BB   | BD   | BF <sup>6</sup> |
|-------|--------|---------|------|------|------|------|--------|--------|------|------|------|-----------------|
| IN    | .8750  |         | 7.75 | 5.94 | 2.25 | 4.25 | 5.875  | 4.500  | 3.50 | 0.16 | 6.63 | 3/8-16X.56      |
| MM    | 22.225 | .75 NPT | 197  | 151  | 57   | 108  | 149.23 | 114.30 | 89   | 4    | 168  |                 |

| UNITS | BS   | BV   | EL    | EM     | EN <sup>6</sup> | EP  | EQ    | ER  | ES  | ET    | EV  | SQ   |
|-------|------|------|-------|--------|-----------------|-----|-------|-----|-----|-------|-----|------|
| IN    | 2.75 | 6.38 | -.002 | -.0005 | 3/8-16X.75      | MIN | ±.020 | MIN | MIN | ±.020 | .63 | .188 |
| MM    | 70   | 162  | 1.250 | 1.0000 |                 | 32  | 15.88 | 108 | 42  | 73.03 | 16  | 4.78 |

| FRAME | UNITS | 2F   |
|-------|-------|------|
| 182JM | IN    | 4.50 |
|       | MM    | 114  |
| 184JM | IN    | 5.50 |
|       | MM    | 140  |

| TOLERANCES                                  |             |
|---|-------------|
| FACE RUNOUT                                 | .004 T.I.R. |
| PERMISSIBLE ECCENTRICITY OF MOUNTING RABBET | .004 T.I.R. |
| PERMISSIBLE SHAFT RUNOUT                    | .002 T.I.R. |

1: ALL ROUGH CASTING DIMENSIONS MAY VARY BY .25" DUE TO CASTING AND/OR FABRICATION VARIATIONS.  
2: LARGEST MOTOR WIDTH.  
3: TOLERANCES SHOWN ARE IN INCHES ONLY.

4: STANDARD ASSEMBLY POSITION F-1 IS SHOWN F-2 IS PROVIDED WHEN SPECIFIED. CONDUIT OPENINGS MAY BE LOCATED IN STEPS OF 90° REGARDLESS OF LOCATION.  
STANDARD AS SHOWN WITH CONDUIT OPENING DOWN.  
5: ALL TAPPED HOLES ARE UNIFIED NATIONAL COARSE, RIGHT HAND THREAD.  
6: TAP SIZE AND BOLT PENETRATION ALLOWANCE.

07-2816/A

**Nidec Motor Corporation**  
St. Louis, Missouri

INFORMATION DISCLOSED ON THIS DOCUMENT IS CONSIDERED PROPRIETARY AND SHALL NOT BE REPRODUCED OR DISCLOSED WITHOUT WRITTEN CONSENT OF NIDEC MOTOR CORPORATION



ISSUED BY  
**D. MISAL**  
APPROVED BY  
**R. KING**

IHP\_DP\_NMCA (MAR-2011) SOLIDEDGE