

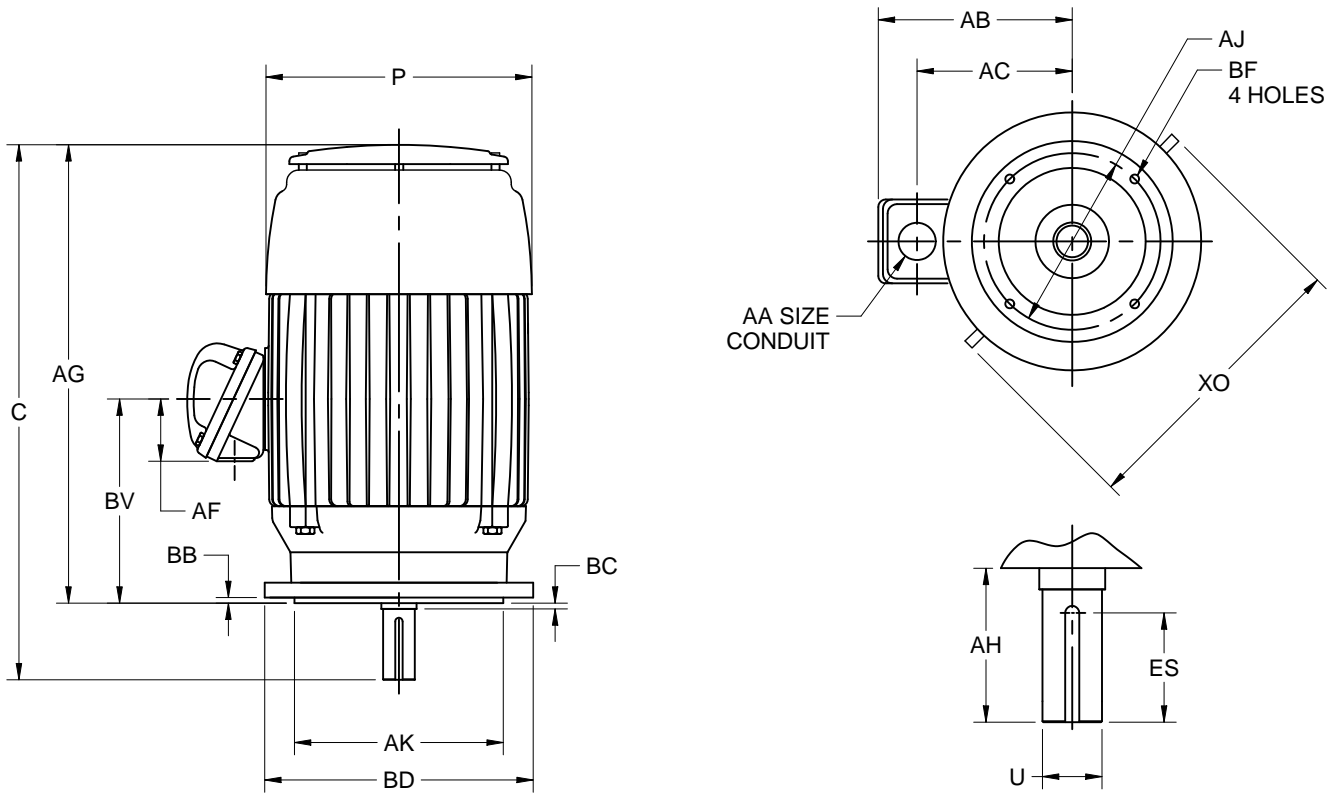
EFFECTIVE:
20-DEC-13

DIMENSION PRINT
TEFC - VERTICALLY MOUNTED
FRAME: 280TSC
BASIC TYPE: TCEF

PRINT:
07-3057

SUPERSEDES:
NEW

SHEET:
1 OF 1



ALL DIMENSIONS ARE IN INCHES AND MILLIMETERS

UNITS	C	P ²	U -.001	AA	AB	AC	AF	AG	AH	AJ	AK -.003	BB MIN
IN	28.27	14.59	1.625	1 1/2 NPT	11.94	8.94	2.63	25.27	3.00	9.000	10.500	.25
MM	718	371	41.28		303	227	67	642	76	228.60	266.70	6

UNITS	BC	BD MAX	BF ³	BV	ES MIN	SQ KEY	XO
IN	.25	11.25	1/2-13 X .75	10.50	1.91	.375	18.52
MM	6	286		267	49	9.53	470

- ALL ROUGH DIMENSIONS MAY VARY BY .25" DUE TO CASTING AND/OR FABRICATION VARIATIONS.
- LARGEST MOTOR WIDTH.
- TAP SIZE AND BOLT PENETRATION ALLOWANCE.
- ALL TAPPED HOLES ARE UNIFIED NATIONAL COARSE, RIGHT HAND THREAD.
- CONDUIT OPENING MAY BE LOCATED IN STEPS OF 90 DEGREES, STANDARD AS SHOWN WITH CONDUIT OPENING DOWN.
- TOLERANCES SHOWN ARE IN INCHES ONLY.

TOLERANCES	
FACE RUNOUT	.004 T.I.R.
PERMISSIBLE ECCENTRICITY OF MOUNTING RABBET	.004 T.I.R.
PERMISSIBLE SHAFT RUNOUT	.002 T.I.R.
FOR SPECIAL SHAFT RUNOUT	.001 T.I.R.

07-3057/-

Nidec Motor Corporation
St. Louis, Missouri

INFORMATION DISCLOSED ON THIS DOCUMENT IS CONSIDERED PROPRIETARY AND SHALL NOT BE REPRODUCED OR DISCLOSED WITHOUT WRITTEN CONSENT OF NIDEC MOTOR CORPORATION



ISSUED BY
L. CUESTA
APPROVED BY
J. WAIDMANN

IHP_DP_NMCA (MAR-2011) SOLIDEDGE