

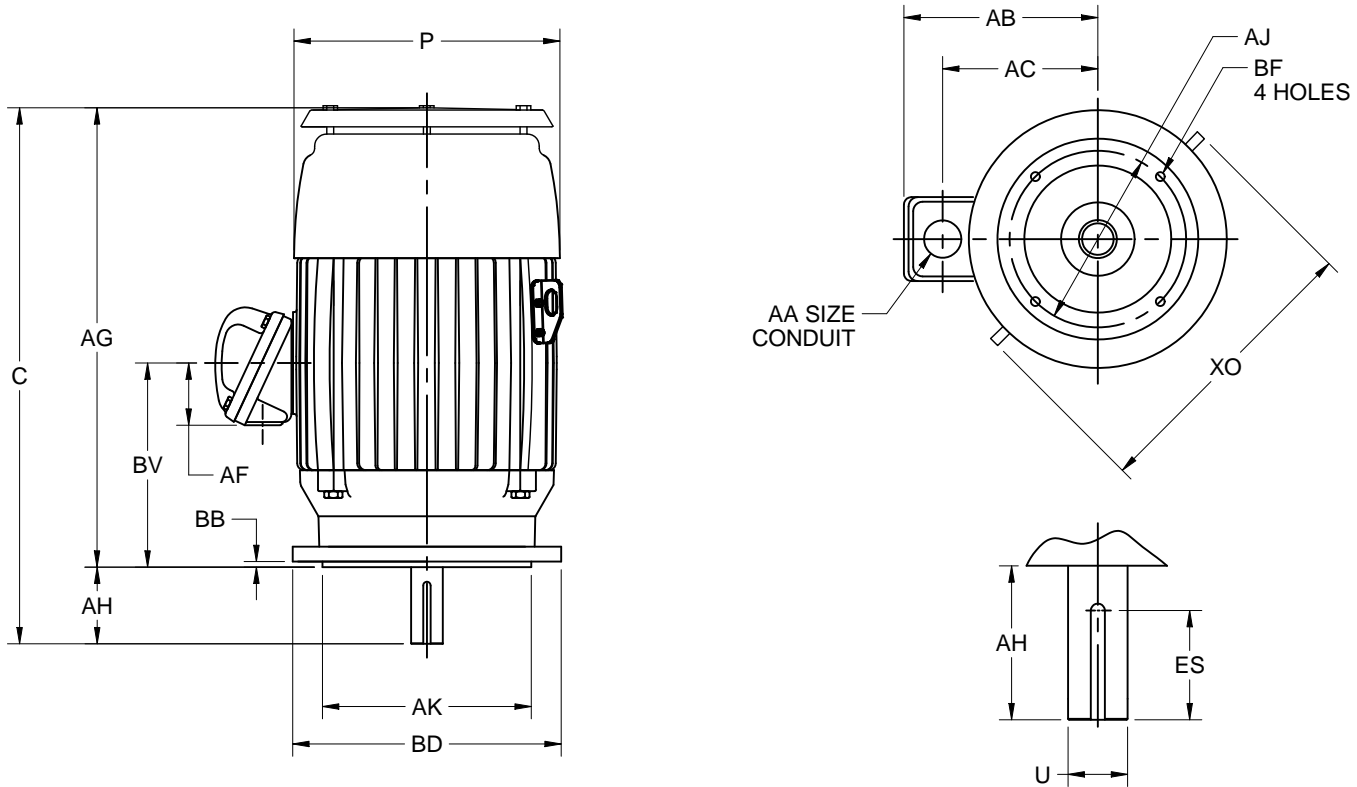
EFFECTIVE:
20-MAR-14

SUPERSEDES:
27-NOV-13

DIMENSION PRINT
TEFC, VERTICALLY MOUNTED
FRAME: 320TC
BASIC TYPE: TCF, CEF

PRINT:
07-3059

SHEET:
1 OF 1



ALL DIMENSIONS ARE IN INCHES AND MILLIMETERS

| UNITS | C | P ⁵ | U -.001 | AA | AB | AC | AF | AG | AH ³ | AJ | AK -.005 |
|-------|-------|----------------|------------|-------|-------|-------|------|-------|-----------------|--------|-------------|
| IN | 32.63 | 16.75 | 2.125 | 2 NPT | 14.25 | 10.75 | 3.25 | 27.63 | 5.00 | 11.000 | 12.500 |
| MM | 829 | 425 | 53.98 | | 362 | 273 | 83 | 702 | 127 | 279.40 | 317.50 |

| UNITS | BB MIN | BD MAX | BF ² | BV | ES MIN | SQ KEY | XO |
|-------|-----------|-----------|-----------------|-------|-----------|-----------|-------|
| IN | .25 | 14.00 | 5/8 11 X .94 | 11.50 | 3.91 | .500 | 21.14 |
| MM | 6 | 356 | | 292 | 99 | 12.70 | 537 |

1. ALL ROUGH DIMENSIONS MAY VARY BY .25" DUE TO CASTING AND/OR FABRICATION VARIATIONS.
2. TAP SIZE AND BOLT PENETRATION ALLOWANCE.
3. ALL TAPPED HOLES ARE UNIFIED NATIONAL COARSE, RIGHT-HAND THREAD.
4. CONDUIT OPENING MAY BE LOCATED IN STEPS OF 90 DEGREES, STANDARD AS SHOWN WITH CONDUIT OPENING DOWN.
5. LARGEST MOTOR WIDTH.
6. TOLERANCES SHOWN ARE IN INCHES ONLY.

| TOLERANCES | |
|---|--------------|
| FACE RUNOUT | .007 T.I.R. |
| PERMISSIBLE ECCENTRICITY OF MOUNTING RABBET | .007 T.I.R. |
| PERMISSIBLE SHAFT RUNOUT | .003 T.I.R. |
| FOR SPECIAL SHAFT RUNOUT (BALL BRG) | .0015 T.I.R. |

07-3059/A

Nidec Motor Corporation
St. Louis, Missouri

INFORMATION DISCLOSED ON THIS DOCUMENT IS CONSIDERED PROPRIETARY AND SHALL NOT BE REPRODUCED OR DISCLOSED WITHOUT WRITTEN CONSENT OF NIDEC MOTOR CORPORATION



ISSUED BY
R. KING
APPROVED BY
J. WAIDMANN

IHP_DP_NMCA (MAR-2011) SOLIDEDGE