

EFFECTIVE:
05-FEB-15

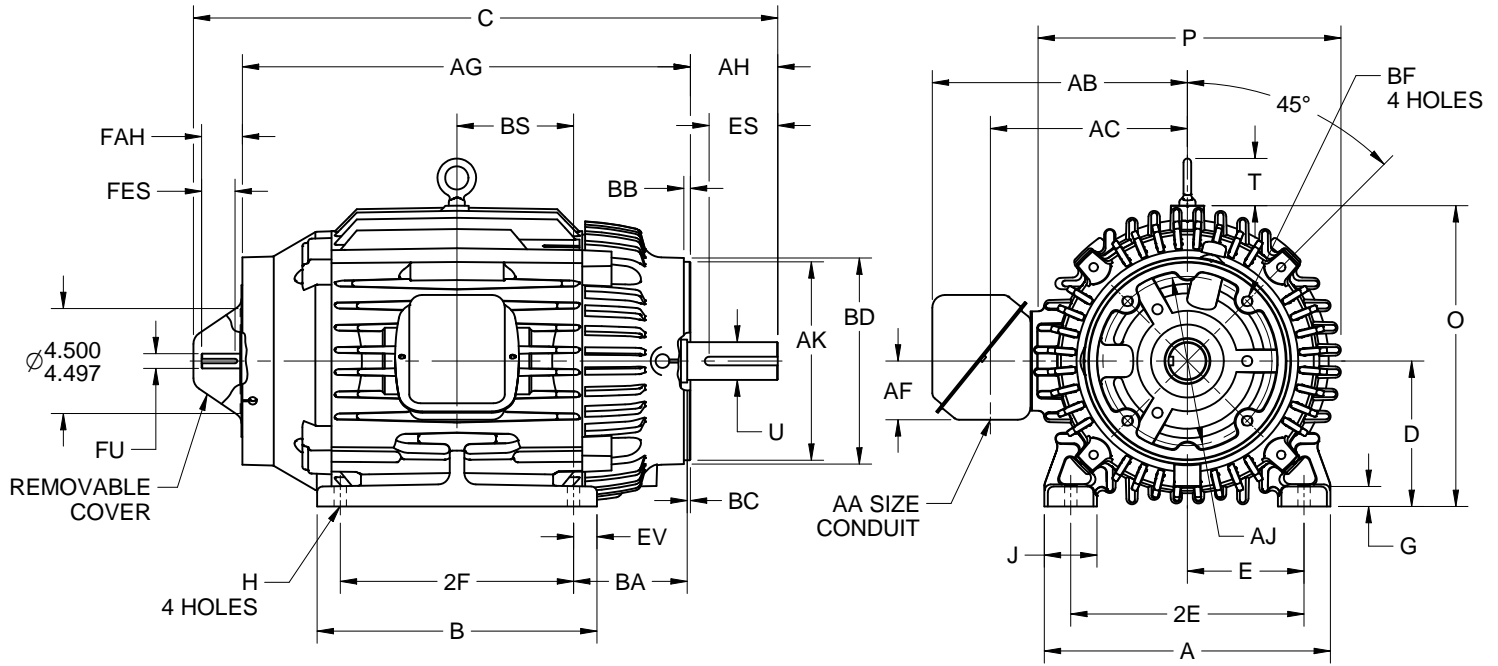
DIMENSION PRINT
INVERTER DUTY WITH C-FACE BRACKET
FRAME: 254, 256TC
BASIC TYPE: CTNI

PRINT:
07-3152

SUPERSEDES:
NEW

SHEET:
1 OF 2

FOR ENCODER AND BRAKE CONFIGURATIONS SEE SHEET 2



ALL DIMENSIONS ARE IN INCHES AND MILLIMETERS

UNITS	A	B	C	D -.06	E	2E ±.03	G	H +.05	J	O	P ²	U -.0005
IN	12.26	12.00	25.06	6.25	5.00	10.00	.88	.53	2.25	12.94	13.25	1.625
MM	311	305	637	159	127	254	22	13	57	329	337	41.28

UNITS	T	AA	AB	AC	AF	AG	AH	AJ	AK -.003	BA	BB MIN	BC
IN	2.03	1.50	11.00	8.44	2.53	19.22	3.75	7.250	8.500	4.75	.25	.25
MM	52		279	214	64	488	95	184.15	215.90	121	6	6

UNITS	BD MAX	BF ^{3,4}	BS	ES MIN	EV	FAH	FES MIN	FU -.0005	DE SQ KEY	ODE SQ KEY
IN	10.00	1/2-13 X .75	5.00	2.91	1.00	1.75	1.38	.6250	.375	.188
MM	254		127	74	25	44	35	15.875	9.53	4.78

FRAME	UNITS	2F ±.03
254TC	IN	8.25
	MM	210
256TC	IN	10.00
	MM	254

TOLERANCES	
FACE RUNOUT	.004 TIR
PERMISSIBLE ECCENTRICITY OF MOUNTING RABBET	.004 TIR
PERMISSIBLE SHAFT RUNOUT	.002 TIR

- DIMENSIONS MAY VARY .25" DUE TO CASTING AND/OR FABRICATION VARIATIONS
- LARGEST MOTOR WIDTH
- ALL TAP HOLES ARE UNIFIED NATIONAL COARSE, RIGHT HAND THREAD
- TAP SIZE AND BOLT PENETRATION ALLOWANCE
- STANDARD ASSEMBLY POSITION F-1 IS SHOWN. F-2 IS PROVIDED WHEN SPECIFIED. CONDUIT OPENINGS MAY BE LOCATED IN STEPS OF 90° REGARDLESS OF THE LOCATION
- TOLERANCES ARE SHOWN IN INCHES ONLY

07-3152/-

Nidec Motor Corporation
St. Louis, Missouri

INFORMATION DISCLOSED ON THIS DOCUMENT IS CONSIDERED PROPRIETARY AND SHALL NOT BE REPRODUCED OR DISCLOSED WITHOUT WRITTEN CONSENT OF NIDEC MOTOR CORPORATION



ISSUED BY
R. TIMMERMANN
APPROVED BY
M. CULLEN

IHP_DP_NMCA (MAR-2011) SOLIDEDGE

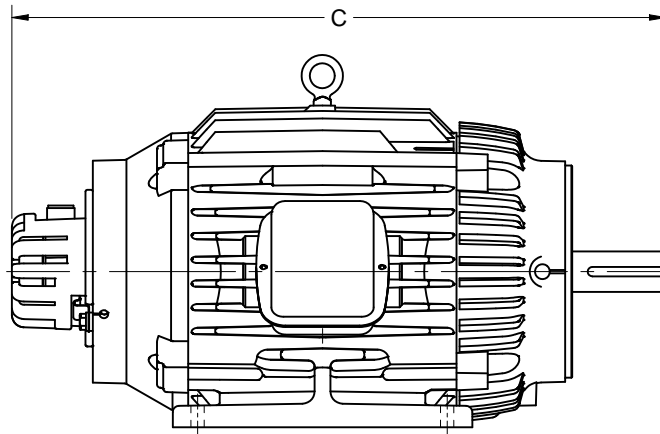
EFFECTIVE:
05-FEB-15

SUPERSEDES:
NEW

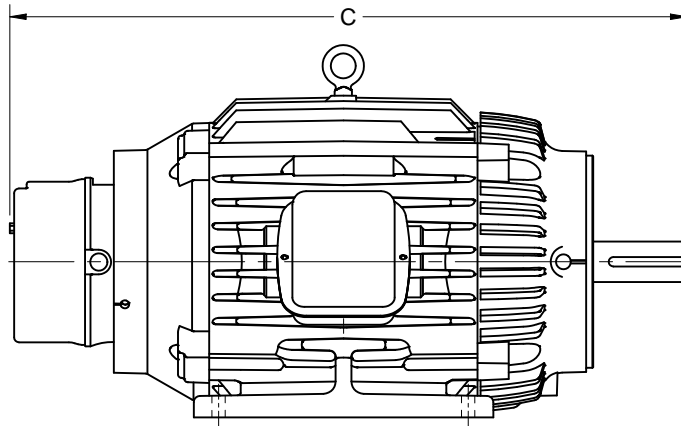
DIMENSION PRINT
INVERTER DUTY WITH C-FACE BRACKET
FRAME: 254, 256TC
BASIC TYPE: CTNI

PRINT:
07-3152

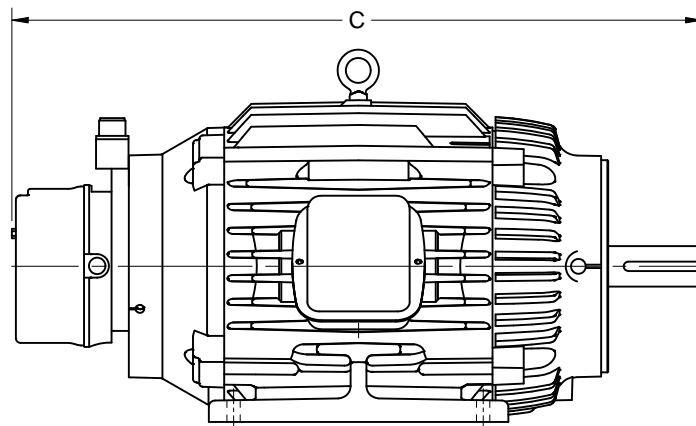
SHEET:
2 OF 2



ACCOMMODATE SHAFT MOUNTED ENCODER
FOR DYNAPAR ENCODER KIT ADD 1.20" TO THE "C" DIMENSION
FOR EPC ENCODER KIT ADD .76" TO THE "C" DIMENSION



ACCOMMODATE BRAKE
FOR BRAKE ADD 2.13" TO THE "C" DIMENSION



ACCOMMODATE FLANGE MOUNT ENCODER AND BRAKE
FOR BRAKE WITH SL56 ENCODER ADD 3.00" TO THE "C" DIMENSION
FOR BRAKE WITH AV56 ENCODER ADD 3.13" TO THE "C" DIMENSION

