

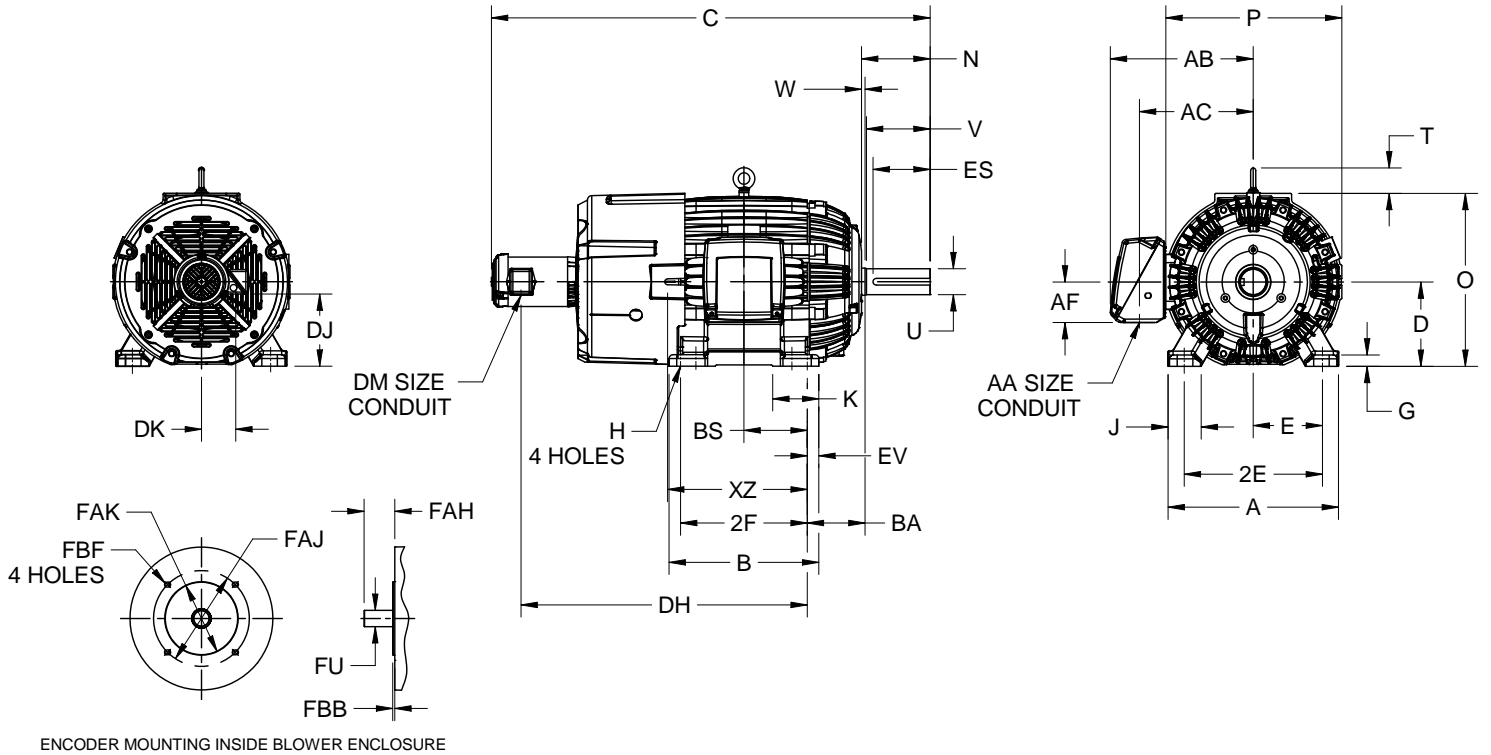
EFFECTIVE:
01-JUL-20

SUPERSEDES:
26-AUG-16

DIMENSION PRINT
TEBC (AXIAL)
FRAME: 444T THRU 447TS
BASIC TYPE: TCB, TCBI

PRINT:
07-3280

SHEET:
1 OF 1



ALL DIMENSIONS ARE IN INCHES AND MILLIMETERS

UNITS	A	D -.06	E	2E ±.03	G	H +.05	J	O	P ²	T	W	AA
IN	22.00	11.00	9.00	18.00	1.50	.81	4.00	22.63	22.53	3.22	.38	3.50 NPT
MM	559	279	229	457	38	21	102	575	572	82	10	

UNITS	AB	AC	AF	BA ±.09	DJ	DK	DM	EV	FU -.0005	FAH	FAJ	FAK -.002
IN	18.63	14.81	5.28	7.50	7.38	4.50	.75	1.50	1.0000	1.88	5.875	4.500
MM	473	376	134	191	187	114		38	25.400	48	149.22	114.30

UNITS	FBB MAX	FBF ^{5,6}	XZ
IN	.16	3/8-16 X .56	18.19
MM	4		462

FRAME	UNITS	C	N	U -.001	V MIN	ES MIN	SQ KEY
444, 445T	IN	57.13	8.88	3.375	8.25	6.91	.875
	MM	1451	226	85.73	210	176	22.23
444, 445TS	IN	53.38	5.13	2.375	4.50	3.03	.625
	MM	1407	130	60.33	114	77	15.88
447T	IN	60.63	8.88	3.375	8.25	6.91	.875
	MM	1540	226	85.73	210	176	22.23
447TS	IN	56.88	5.13	2.375	4.50	3.03	.625
	MM	1445	130	60.33	114	77	15.88

FRAME	UNITS	2F ±.03
444	IN	14.50
	MM	368
445	IN	16.50
	MM	419
447	IN	20.00
	MM	508

FRAME	UNITS	B	K	BS	DH
444, 445	IN	19.50	6.00	8.25	37.31
	MM	495	152	210	948
447	IN	23.00	4.00	10.00	40.81
	MM	584	102	254	1037

1. DIMENSIONS MAY VARY .25" DUE TO CASTING AND/OR FABRICATION VARIATIONS.
2. LARGEST MOTOR WIDTH.
3. TOLERANCES ARE SHOWN IN INCHES.
4. CONDUIT BOX MAY BE LOCATED ON EITHER SIDE OF MOTOR. CONDUIT OPENING MAY BE LOCATED IN STEPS OF 90 DEGREES REGARDLESS OF LOCATION. STANDARD AS SHOWN WITH CONDUIT OPENING DOWN.
5. ALL TAP HOLES ARE UNIFIED NATIONAL COARSE, RIGHT HAND THREAD
6. TAP SIZE AND BOLT PENETRATION ALLOWANCE

Nidec Motor Corporation
St. Louis, Missouri

INFORMATION DISCLOSED ON THIS DOCUMENT IS CONSIDERED PROPRIETARY AND SHALL NOT BE REPRODUCED OR DISCLOSED WITHOUT WRITTEN CONSENT OF NIDEC MOTOR CORPORATION



ISSUED BY
L. ARROYO
APPROVED BY
T. PALLETT

IHP_DP_NMCA (MAR-2011) SOLIDEDGE