

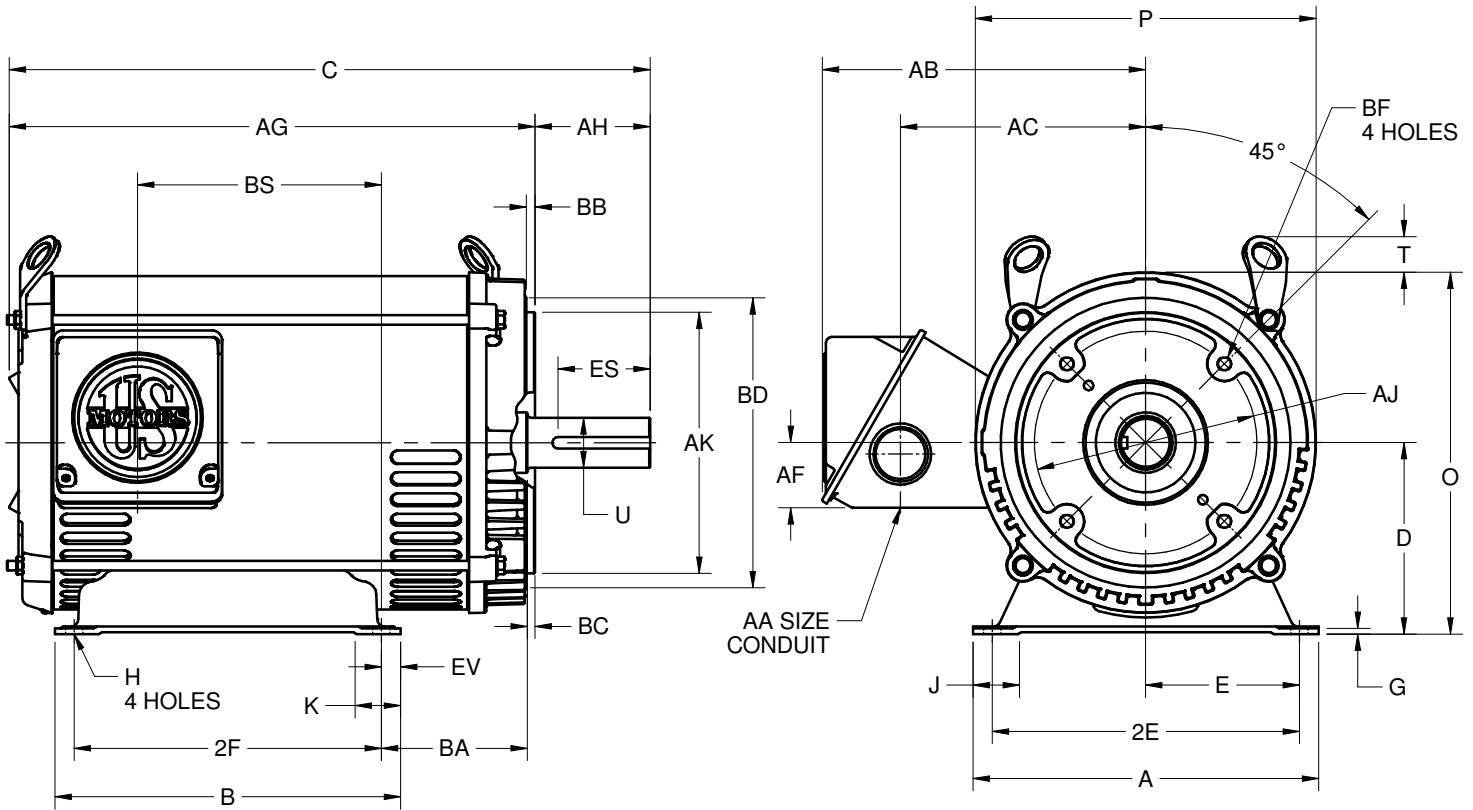
EFFECTIVE:
01-AUG-18

SUPERSEDES:
NEW

DIMENSION PRINT
OPEN DRIP PROOF C-FACE WITH OVERSIZE OUTLET BOX
FRAME: 254, 256TC
BASIC TYPE: D

PRINT:
07-3352-01

SHEET:
1 OF 1



ALL DIMENSIONS ARE IN INCHES AND MILLIMETERS

UNITS	A	D -.06	E	2E ±.03	G	H +.05	J	K	O	P ²	T	U -.001
IN	11.25	6.25	5.00	10.00	.19	.53	1.44	1.38	11.78	11.09	1.16	1.625
MM	286	159	127	254	5	14	37	35	299	282	29	41.28

UNITS	AA	AB	AC	AF	AH	AJ	AK -.003	BA	BB MIN	BC	BD MAX
IN	1.50	10.53	8.00	2.13	3.75	7.250	8.500	4.75	.25	.25	9.00
MM		267	203	54	95	184.15	215.90	121	6	6	229

UNITS	BF ^{3,4}	EV	ES MIN	SQ KEY
IN	1/2-13 X .75	.63	2.91	.375
MM		16	74	9.53

FRAME	UNITS	B	C	2F ±.03	AG	BS
254TC	IN	9.50	19.59	8.25	15.56	6.69
	MM	241	498	210	395	170
256TC	IN	11.25	20.84	10.00	16.81	7.94
	MM	286	529	254	427	202

- DIMENSIONS MAY VARY .25" DUE TO CASTING AND/OR FABRICATION VARIATIONS
- LARGEST MOTOR WIDTH
- ALL TAP HOLES ARE UNIFIED NATIONAL COARSE, RIGHT HAND THREAD
- TAP SIZE AND BOLT PENETRATION ALLOWANCE
- CONDUIT OPENINGS MAY BE LOCATED IN STEPS OF 180° REGARDLESS OF THE LOCATION. STANDARD AS SHOWN WITH CONDUIT OPENING DOWN
- TOLERANCES ARE SHOWN IN INCHES ONLY
- FRAME REFERENCE: 12.625/254//13.875/256

TOLERANCES	
FACE RUNOUT	.004 TIR
PERMISSIBLE ECCENTRICITY OF MOUNTING RABBET	.004 TIR
PERMISSIBLE SHAFT RUNOUT	.002 TIR

07-3352-01/-

Nidec Motor Corporation
St. Louis, Missouri

INFORMATION DISCLOSED ON THIS DOCUMENT
 IS CONSIDERED PROPRIETARY AND SHALL NOT BE
 REPRODUCED OR DISCLOSED WITHOUT WRITTEN
 CONSENT OF NIDEC MOTOR CORPORATION



ISSUED BY
R. TIMMERMANN
 APPROVED BY
M. CULLEN

IHP_DP_NMCA (MAR-2011) SOLIDEDGE