

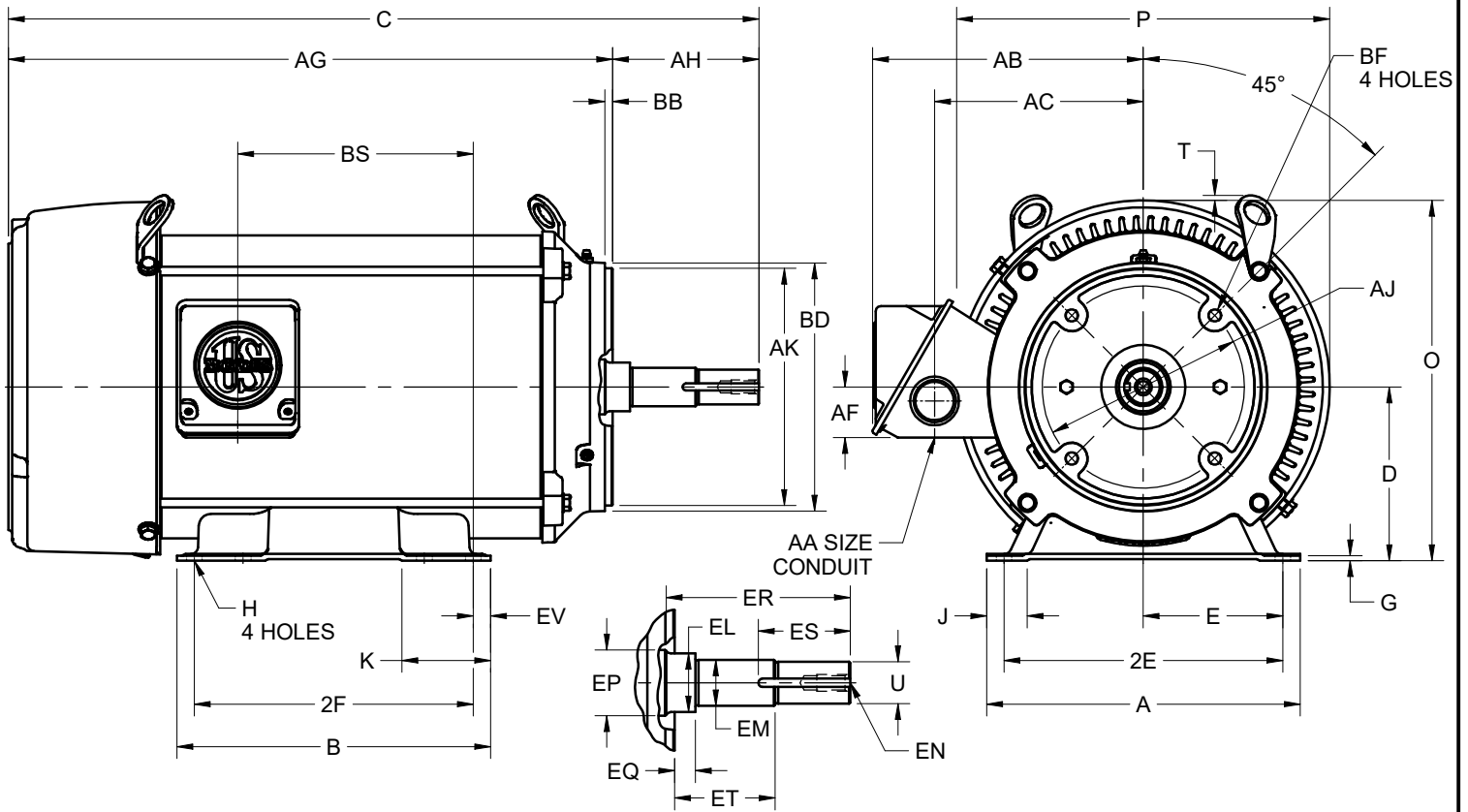
EFFECTIVE:
04-MAR-20

DIMENSION PRINT
STEEL EDGE CLOSE COUPLED PUMP
FRAME: 254, 256JM, JP
BASIC TYPE: SE4, SE1

PRINT:
07-3430

SUPERSEDES:
NEW

SHEET:
1 OF 1



ALL DIMENSIONS ARE IN INCHES AND MILLIMETERS

UNITS	A	D -.06	E	2E ±.03	G	H +.05	J	K	O	P ²	T	U -.0005	AA ⁵
IN	11.25	6.25	5.00	10.00	.19	.53	1.44	1.38	12.94	13.38	.19	1.2495	1.25
MM	286	159	127	254	5	14	37	35	329	340	5	31.737	

UNITS	AB	AC	AF	AG	AJ	AK -.003	BA	BB MIN	BC	BD	BS	BF ^{3,4}
IN	9.72	7.50	1.81	21.66	7.250	8.500	4.75	.25	.25	9.00	8.44	1/2-13 X .75
MM	247	191	46	550	184.15	215.90	121	6	6	229	214	

UNITS	EL -.002	EM -.0005	EN ^{3,4}	EP MIN	ES MIN	EV	SQ KEY
IN	1.750	1.3750	1/2-13 X 1.00	1.75	2.53	.63	.250
MM	44.45	34.925		44	64	16	6.35

FRAME	UNITS	B	2F ±.03
254JM	IN	9.50	8.25
	MM	241	210
256JM	IN	11.25	10.00
	MM	286	254
254JP	IN	9.50	8.25
	MM	241	210
256JP	IN	11.25	10.00
	MM	286	254

FRAME	UNITS	C	AH ±.031	EQ ±.015	ER MIN	ET ±.015
250JM	IN	26.94	5.250	.625	5.25	3.000
	MM	684	113.35	15.88	113	76.20
250JP	IN	29.81	8.125	2.375	8.13	5.875
	MM	757	206.38	60.33	207	149.23

- DIMENSIONS MAY VARY .25" DUE TO CASTING AND/OR FABRICATION VARIATIONS
- LARGEST MOTOR WIDTH
- ALL TAP HOLES ARE UNIFIED NATIONAL COARSE, RIGHT HAND THREAD
- TAP SIZE AND BOLT PENETRATION ALLOWANCE
- BASIC CONDUIT FITTING SIZE. CONDUIT OPENING ON THE SIDE OF THE CONDUIT BOX WILL ACCEPT 1-1/4 NPT CONDUIT FITTING
- CONDUIT OPENING(S) MAY BE LOCATED IN STEPS OF 180° REGARDLESS OF LOCATION. STANDARD LOCATION IS SHOWN WITH CONDUIT OPENING DOWN
- TOLERANCES ARE SHOWN IN INCHES ONLY
- FRAME REFERENCE: 14.000/254/256

TOLERANCES	
FACE RUNOUT	.004 TIR
PERMISSIBLE ECCENTRICITY OF MOUNTING RABBET	.004 TIR
PERMISSIBLE SHAFT RUNOUT	.002 TIR

07-3430/-

Nidec Motor Corporation
St. Louis, Missouri

INFORMATION DISCLOSED ON THIS DOCUMENT IS CONSIDERED PROPRIETARY AND SHALL NOT BE REPRODUCED OR DISCLOSED WITHOUT WRITTEN CONSENT OF NIDEC MOTOR CORPORATION



ISSUED BY
R. TIMMERMANN
APPROVED BY
P. HOGG

IHP_DP_NMCA (MAR-2011) SOLIDEDGE