

EFFECTIVE:  
**12-MAY-20**

# HORIZONTAL MOTORS

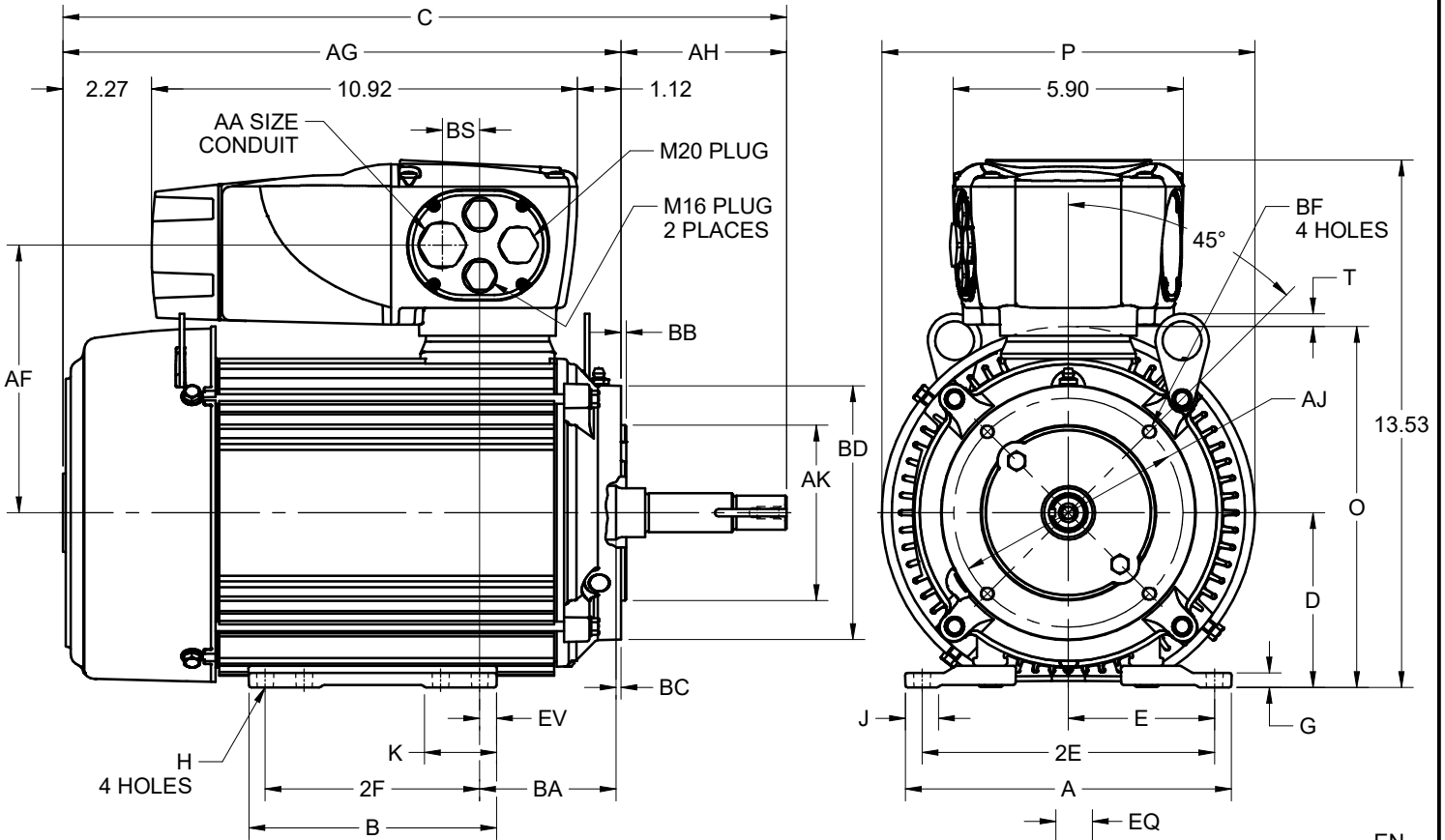
TEFC WITH ID300 DRIVE SIZE 2

PRINT:  
**07-3460**

SUPERSEDES:  
**NEW**

FRAME: 182, 184JM  
BASIC TYPE: UT4

SHEET:  
**1 OF 1**



TOLERANCES	
FACE RUNOUT	.004 TIR
PERMISSIBLE ECCENTRICITY OF MOUNTING RABBET	.004 TIR
PERMISSIBLE SHAFT RUNOUT	.002 TIR

ALL DIMENSIONS ARE IN INCHES AND MILLIMETERS

UNITS	A	B	D -.06	E	2E ±.03	G	H +.05	J	K	O	P <sup>2</sup>	T
IN	8.38	6.38	4.50	3.75	7.50	.38	.41	.88	1.84	9.28	9.56	.34
MM	213	162	114	95	191	10	10	22	47	236	243	9

UNITS	U -.0005	AA	AF	AH ±.031	AJ	AK -.003	BA	BB -.031	BC	BD	BF <sup>3,4</sup>
IN	.8745	M25	6.88	4.250	5.875	4.500	3.50	.156	.12	6.50	3/8-16 X .56
MM	22.212		175	107.95	149.23	114.30	89	3.96	3	165	

UNITS	BS	EL -.002	EM -.0005	EN <sup>3,4</sup>	EP MIN	EQ ±.015	ER MIN	ET ±.015	ES MIN	EV	SQ KEY
IN	.97	1.250	1.0000	3/8-16 X .75	1.25	.625	4.25	2.875	1.66	.50	.188
MM	25	31.75	25.400		32	15.88	108	73.03	42	13	4.78

FRAME	UNITS	C	2F ±.03	AG
182JM	IN	17.81	4.50	13.56
	MM	452	114	344
184JM	IN	18.56	5.50	14.31
	MM	471	140	363

1. DIMENSIONS MAY VARY .25" DUE TO CASTING AND/OR FABRICATION VARIATIONS
2. LARGEST MOTOR WIDTH
3. ALL TAP HOLES ARE UNIFIED NATIONAL COARSE, RIGHT HAND THREAD
4. TAP SIZE AND BOLT PENETRATION ALLOWANCE
5. METRIC PLUG PLATE CAN BE ROTATED 180° AND/OR MOVED TO OPPOSITE SIDE OF MOTOR
6. TOLERANCES ARE SHOWN IN INCHES ONLY
7. FRAME REFERENCE: 8.25/182/9.00/184

07-3460/-

**Nidec Motor Corporation**  
St. Louis, Missouri

INFORMATION DISCLOSED ON THIS DOCUMENT IS CONSIDERED PROPRIETARY AND SHALL NOT BE REPRODUCED OR DISCLOSED WITHOUT WRITTEN CONSENT OF NIDEC MOTOR CORPORATION



ISSUED BY  
**R. TIMMERMANN**  
APPROVED BY  
**J. HAGENE**

IHP\_DP\_NMCA (MAR-2011) SOLIDEDGE