

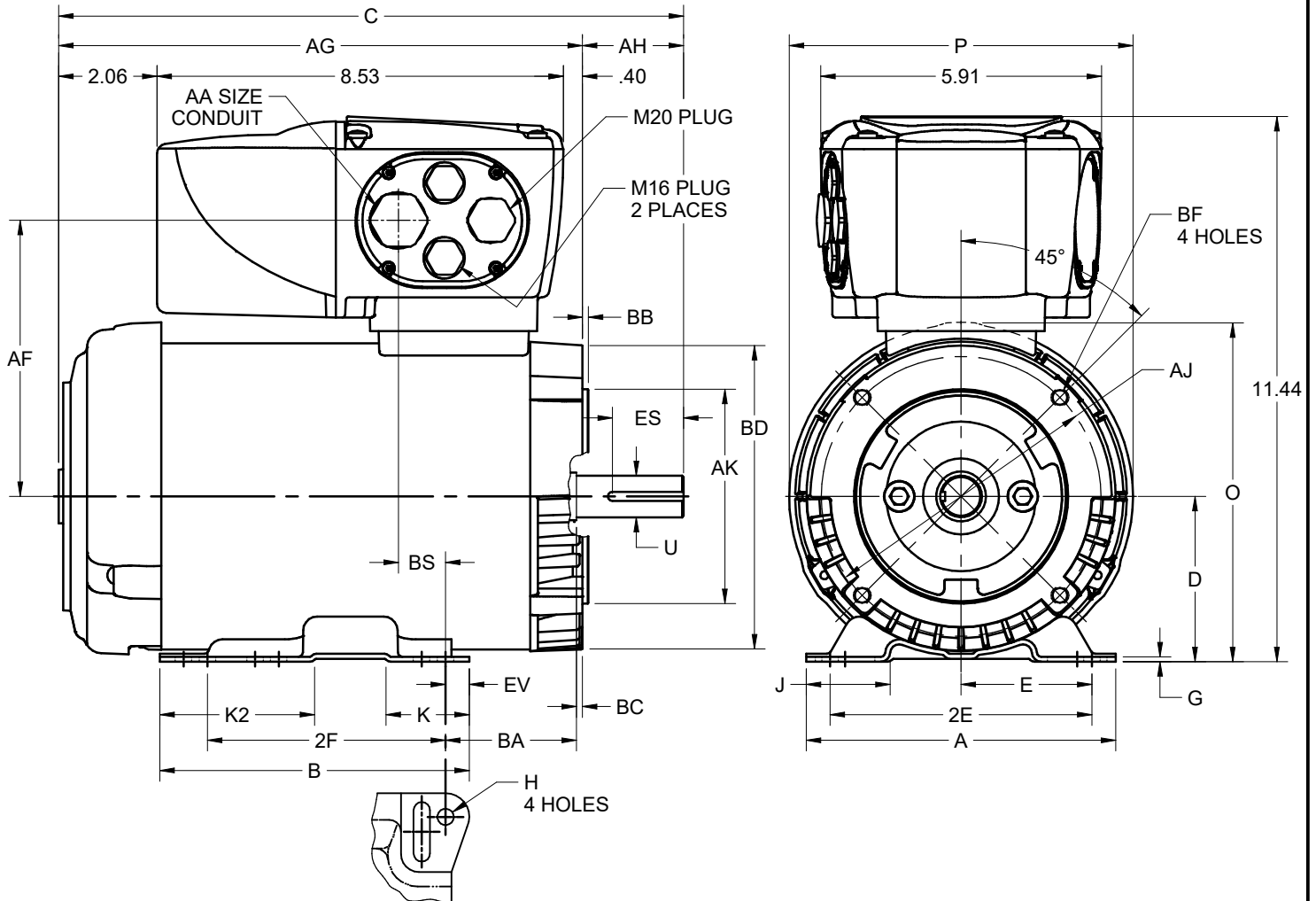
EFFECTIVE:
23-JUL-20

HORIZONTAL MOTORS
TEFC WITH DRIVE SIZE 1
FRAME: 143, 145TC
BASIC TYPE: UT

PRINT:
07-3474

SUPERSEDES:
NEW

SHEET:
1 OF 1



ALL DIMENSIONS ARE IN INCHES AND MILLIMETERS

UNITS	A	B	C	D -.06	E	2E ±.03	G	H +.05	J	K	K2	O	P ²
IN	6.50	6.50	13.13	3.50	2.75	5.50	.13	.34	1.75	1.75	3.25	7.16	7.31
MM	165	165	334	89	70	140	3	9	44	44	83	182	186

UNITS	U -.0005	AA	AF	AG	AH	AJ	AK -.003	BA	BB MIN	BC	BD MAX	BF ^{3,4}
IN	.8750	M25	5.81	11.00	2.13	5.875	4.500	2.75	.13	.13	6.50	3/8-16 X .75
MM	22.225		148	279	54	149.23	114.30	70	3	3	165	

UNITS	BS	ES MIN	EV	SQ KEY
IN	1.00	1.41	.50	.188
MM	25	36	13	4.78

TOLERANCES	
FACE RUNOUT	.004 TIR
PERMISSIBLE ECCENTRICITY OF MOUNTING RABBET	.004 TIR
PERMISSIBLE SHAFT RUNOUT	.002 TIR

UNITS	FRAME	2F ±.03
IN	143TC	4.00
MM		102
IN	145TC	5.00
MM		127

1. DIMENSIONS MAY VARY .25" DUE TO CASTING AND/OR FABRICATION VARIATIONS
2. LARGEST MOTOR WIDTH
3. ALL TAP HOLES ARE UNIFIED NATIONAL COARSE, RIGHT HAND THREAD
4. TAP SIZE AND BOLT PENETRATION ALLOWANCE
5. TOLERANCES ARE SHOWN IN INCHES ONLY
6. FRAME REFERENCE: 7.75/143/145

07-3474/-

Nidec Motor Corporation
St. Louis, Missouri

INFORMATION DISCLOSED ON THIS DOCUMENT IS CONSIDERED PROPRIETARY AND SHALL NOT BE REPRODUCED OR DISCLOSED WITHOUT WRITTEN CONSENT OF NIDEC MOTOR CORPORATION



ISSUED BY
R. TIMMERMANN
APPROVED BY
J. HAGENE

IHP_DP_NMCA (MAR-2011) SOLIDEDGE