

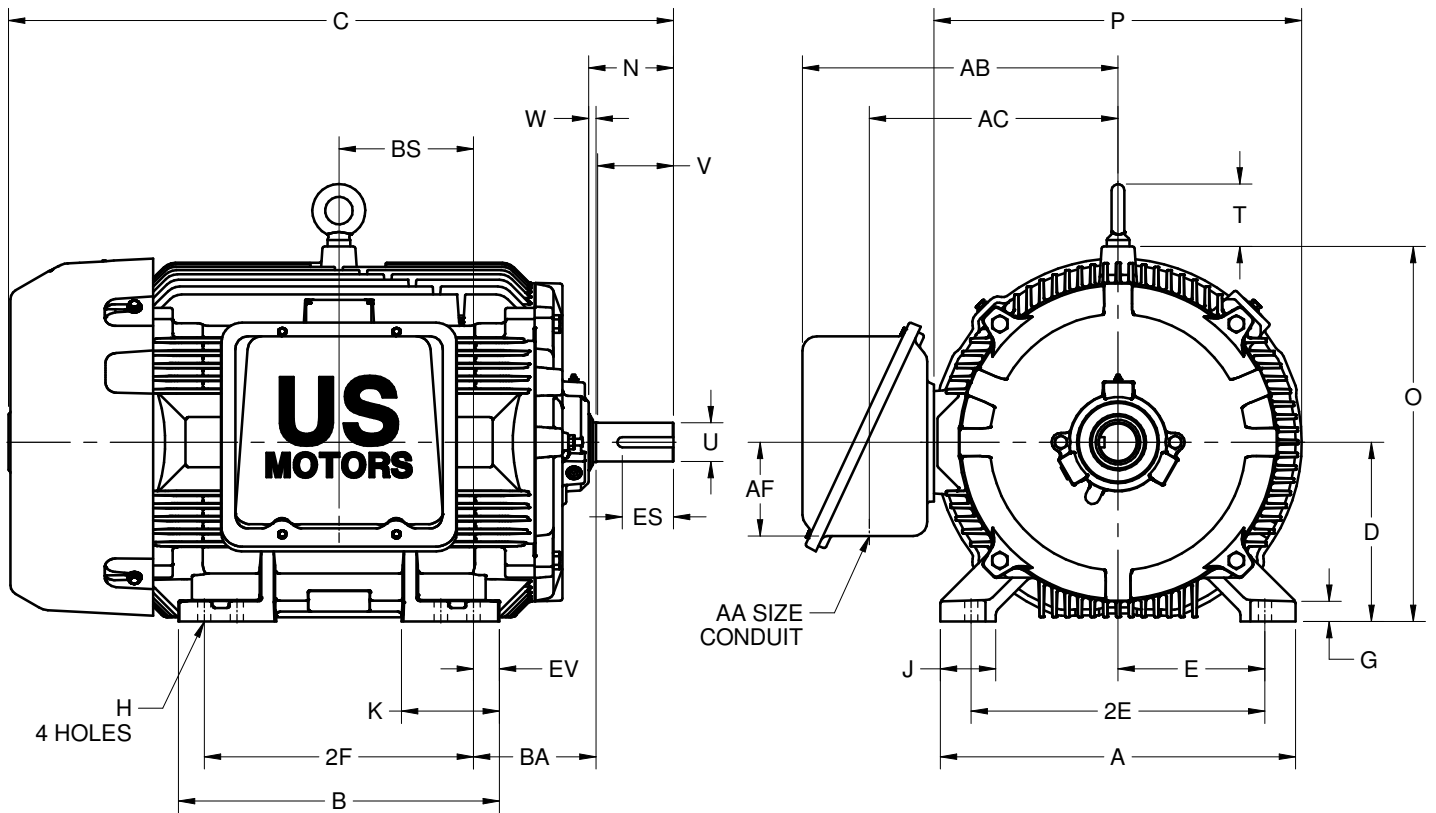
EFFECTIVE:  
17-AUG-17

SUPERSEDES:  
NEW

**DIMENSION PRINT**  
WORLD MOTOR CORRODUTY  
FRAME: 444TS, 445TS  
BASIC TYPE: TC

PRINT:  
08-1069

SHEET:  
1 OF 1



ALL DIMENSIONS ARE IN INCHES AND MILLIMETERS

UNITS	A	B	C	D -.06	E	2E ±.03	G	H +.05	J	K	N	O	P <sup>2</sup>
IN	21.75	19.69	40.75	11.00	9.00	18.00	1.25	.81	3.38	6.00	5.19	23.00	22.81
MM	552	500	1035	279	229	457	32	21	86	152	132	584	579

UNITS	T	U -.001	V MIN	W	AA	AB	AC	AF	BA	BS	EV	ES MIN	SQ KEY
IN	3.81	2.375	4.50	.44	3 NPT	19.34	15.25	5.75	7.50	8.25	1.59	3.03	.625
MM	97	60.33	114	11		491	387	146	191	210	40	77	15.88

FRAME	UNITS	2F ±.03
444TS	IN	14.50
	MM	368
445TS	IN	16.50
	MM	419

1. DIMENSIONS MAY VARY .25" DUE TO CASTING AND/OR FABRICATION VARIATIONS
2. LARGEST MOTOR WIDTH
3. STANDARD ASSEMBLY POSITION F-1 IS SHOWN. F-2 IS PROVIDED WHEN SPECIFIED. CONDUIT OPENING MAY BE LOCATED IN STEPS OF 90° REGARDLESS OF THE LOCATION
4. TOLERANCES ARE SHOWN IN INCHES ONLY

08-1069/-

**Nidec Motor Corporation**  
St. Louis, Missouri

INFORMATION DISCLOSED ON THIS DOCUMENT IS CONSIDERED PROPRIETARY AND SHALL NOT BE REPRODUCED OR DISCLOSED WITHOUT WRITTEN CONSENT OF NIDEC MOTOR CORPORATION



ISSUED BY  
**R. TIMMERMANN**  
APPROVED BY  
**M. CULLEN**

IHP\_DP\_NMCA (MAR-2011) SOLIDEDGE