

EFFECTIVE:  
**23-OCT-18**

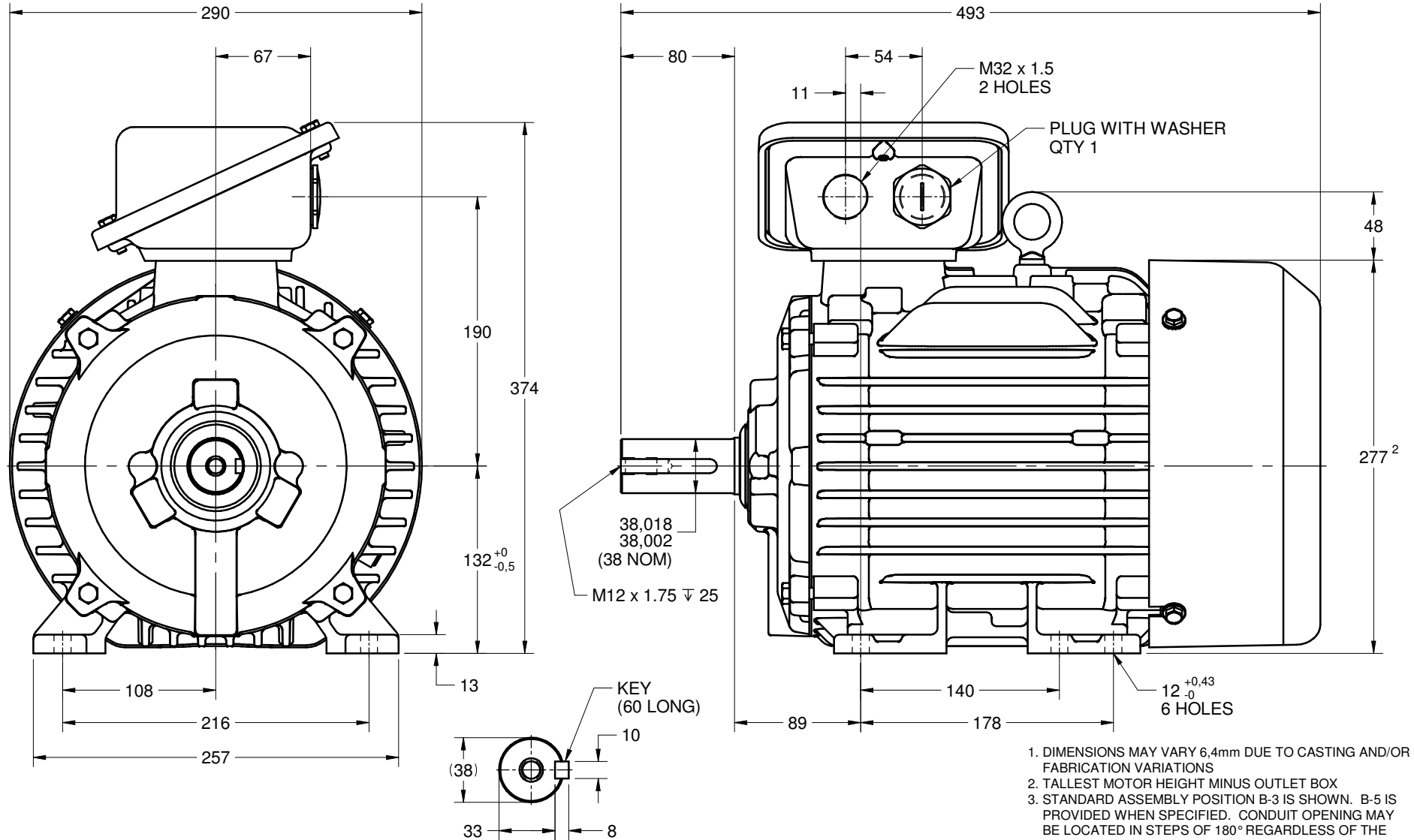
SUPERSEDES:  
**NEW**

**DIMENSION PRINT**  
**IEC WORLD MOTOR HOSTILE DUTY**  
**FRAME: 132S, M**  
**BASIC TYPE: ICTE**

PRINT:  
**08-1119**

SHEET:  
**1 OF 1**

DIMENSIONS ARE SHOWN IN mm



1. DIMENSIONS MAY VARY 6.4mm DUE TO CASTING AND/OR FABRICATION VARIATIONS
2. TALLEST MOTOR HEIGHT MINUS OUTLET BOX
3. STANDARD ASSEMBLY POSITION B-3 IS SHOWN. B-5 IS PROVIDED WHEN SPECIFIED. CONDUIT OPENING MAY BE LOCATED IN STEPS OF 180° REGARDLESS OF THE LOCATION

08-1119/-

**Nidec Motor Corporation**  
**St. Louis, Missouri**

INFORMATION DISCLOSED ON THIS DOCUMENT IS CONSIDERED PROPRIETARY AND SHALL NOT BE REPRODUCED OR DISCLOSED WITHOUT WRITTEN CONSENT OF NIDEC MOTOR CORPORATION



ISSUED BY  
**R. TIMMERMANN**  
APPROVED BY  
**M. CULLEN**

IHP\_DP\_IEC\_NMCA (JAN-2018) SOLIDEDGE