

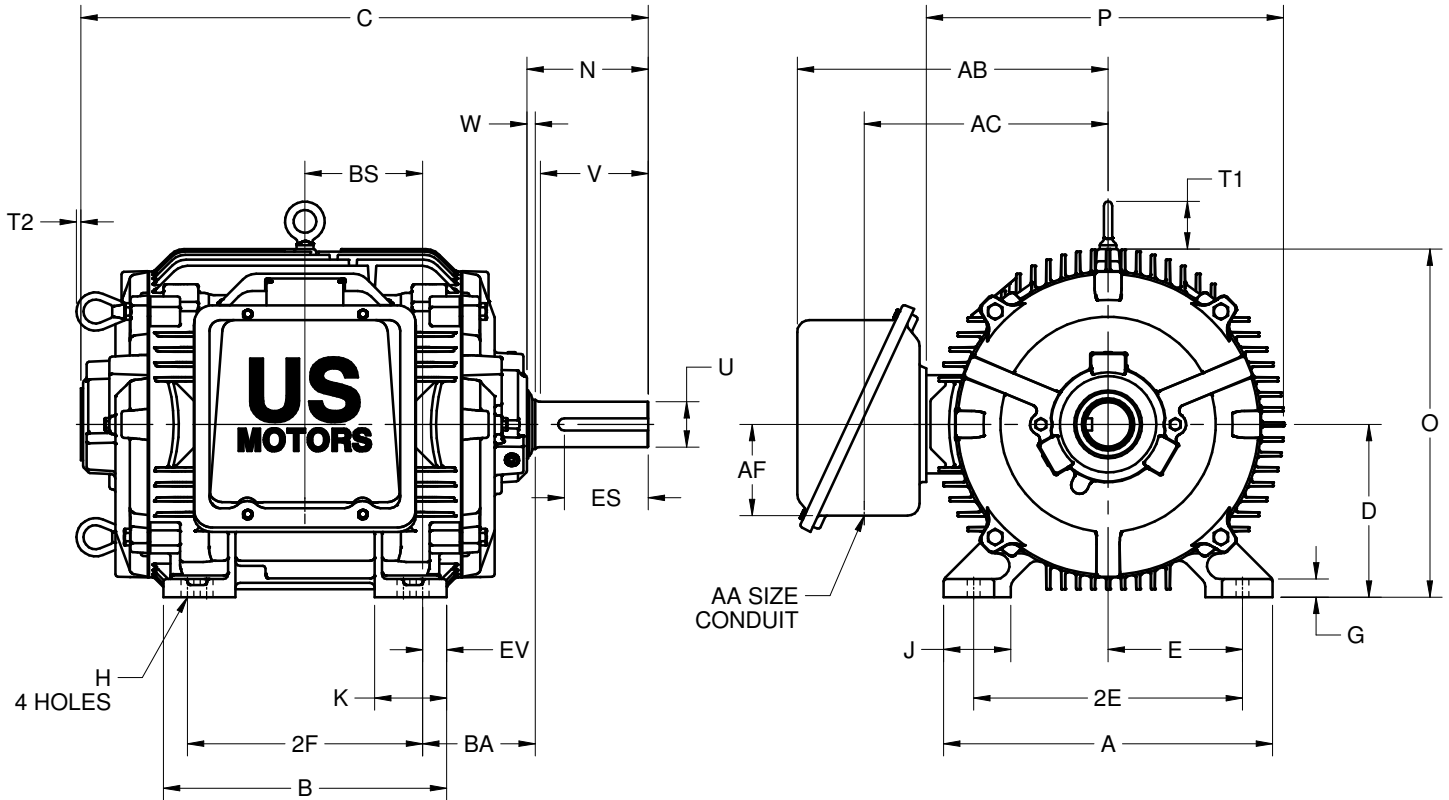
EFFECTIVE:  
**18-DEC-18**

SUPERSEDES:  
**NEW**

**DIMENSION PRINT**  
**WORLD MOTOR COOLING TOWER**  
FRAME: 364T, 365T  
BASIC TYPE: TCNI

PRINT:  
**08-1159**

SHEET:  
**1 OF 1**



ALL DIMENSIONS ARE IN INCHES AND MILLIMETERS

UNITS	A	B	C	D -.06	E	2E ±.03	G	H +.05	J	K	N	O
IN	17.13	14.75	29.56	9.00	7.00	14.00	.94	.66	3.50	3.75	6.31	18.13
MM	435	375	751	229	178	356	24	17	89	95	160	461

UNITS	P <sup>2</sup>	T1	T2	U -.001	V MIN	W	AA	AB	AC	AF	BA	BS
IN	18.81	2.47	.25	2.375	5.62	.44	3 NPT	16.19	12.69	4.75	5.88	6.13
MM	478	63	6	60.33	143	11		411	322	121	149	156

UNITS	EV	ES MIN	SQ KEY
IN	1.25	4.28	.625
MM	32	109	15.88

FRAME	UNITS	2F ±.03
364T	IN	11.25
	MM	286
365T	IN	12.25
	MM	311

1. DIMENSIONS MAY VARY .25" DUE TO CASTING AND/OR FABRICATION VARIATIONS
2. LARGEST MOTOR WIDTH
3. STANDARD ASSEMBLY POSITION F-1 IS SHOWN. F-2 IS PROVIDED WHEN SPECIFIED. CONDUIT OPENING MAY BE LOCATED IN STEPS OF 90° REGARDLESS OF THE LOCATION
4. TOLERANCES ARE SHOWN IN INCHES ONLY

08-1159/-

**Nidec Motor Corporation**  
St. Louis, Missouri

INFORMATION DISCLOSED ON THIS DOCUMENT IS CONSIDERED PROPRIETARY AND SHALL NOT BE REPRODUCED OR DISCLOSED WITHOUT WRITTEN CONSENT OF NIDEC MOTOR CORPORATION



ISSUED BY  
**R. TIMMERMANN**  
APPROVED BY  
**M. CULLEN**

IHP\_DP\_NMCA (MAR-2011) SOLIDEDGE