

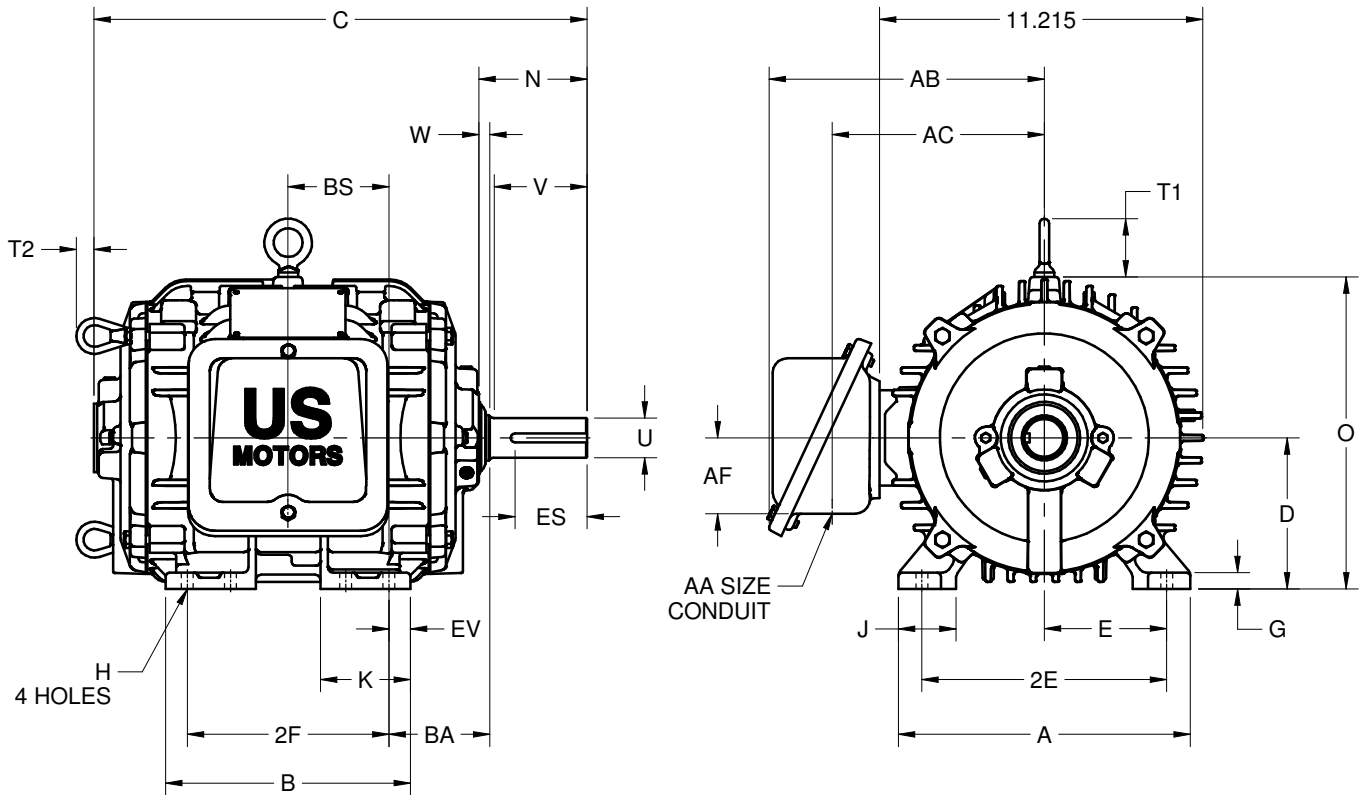
EFFECTIVE:  
**11-JAN-19**

SUPERSEDES:  
**NEW**

**DIMENSION PRINT**  
**WORLD MOTOR COOLING TOWER**  
FRAME: 213T, 215T  
BASIC TYPE: TCNI

PRINT:  
**08-1169**

SHEET:  
**1 OF 1**



ALL DIMENSIONS ARE IN INCHES AND MILLIMETERS

| UNITS | A     | B    | C     | D<br>-.06 | E    | 2E<br>±.03 | G   | H<br>+.05 | J    | K    | N    | O     |
|-------|-------|------|-------|-----------|------|------------|-----|-----------|------|------|------|-------|
| IN    | 10.13 | 8.50 | 17.13 | 5.25      | 4.25 | 8.50       | .56 | .41       | 2.00 | 3.13 | 3.75 | 10.84 |
| MM    | 257   | 216  | 435   | 133       | 108  | 216        | 14  | 10        | 51   | 80   | 95   | 275   |

| UNITS | P <sup>2</sup> | T1   | T2  | U<br>-.0005 | V<br>MIN | W   | AA    | AB   | AC   | AF   | BA   | BS   |
|-------|----------------|------|-----|-------------|----------|-----|-------|------|------|------|------|------|
| IN    | 11.44          | 2.03 | .63 | 1.3750      | 3.12     | .38 | 1 NPT | 9.56 | 7.38 | 2.63 | 3.50 | 3.50 |
| MM    | 291            | 52   | 16  | 34.925      | 79       | 10  |       | 243  | 187  | 67   | 89   | 89   |

| UNITS | EV  | ES<br>MIN | SQ KEY |
|-------|-----|-----------|--------|
| IN    | .75 | 2.41      | .312   |
| MM    | 19  | 61        | 7.92   |

| FRAME | UNITS | 2F<br>±.03 |
|-------|-------|------------|
| 213T  | IN    | 5.50       |
|       | MM    | 140        |
| 215T  | IN    | 7.00       |
|       | MM    | 179        |

1. DIMENSIONS MAY VARY .25" DUE TO CASTING AND/OR FABRICATION VARIATIONS
2. LARGEST MOTOR WIDTH
3. STANDARD ASSEMBLY POSITION F-1 IS SHOWN. F-2 IS PROVIDED WHEN SPECIFIED. CONDUIT OPENING MAY BE LOCATED IN STEPS OF 90° REGARDLESS OF THE LOCATION
4. TOLERANCES ARE SHOWN IN INCHES ONLY

08-1169/-

**Nidec Motor Corporation**  
St. Louis, Missouri

INFORMATION DISCLOSED ON THIS DOCUMENT IS CONSIDERED PROPRIETARY AND SHALL NOT BE REPRODUCED OR DISCLOSED WITHOUT WRITTEN CONSENT OF NIDEC MOTOR CORPORATION



ISSUED BY  
**R. TIMMERMANN**  
APPROVED BY  
**M. CULLEN**

IHP\_DP\_NMCA (MAR-2011) SOLIDEDGE