

EFFECTIVE:
22-FEB-19

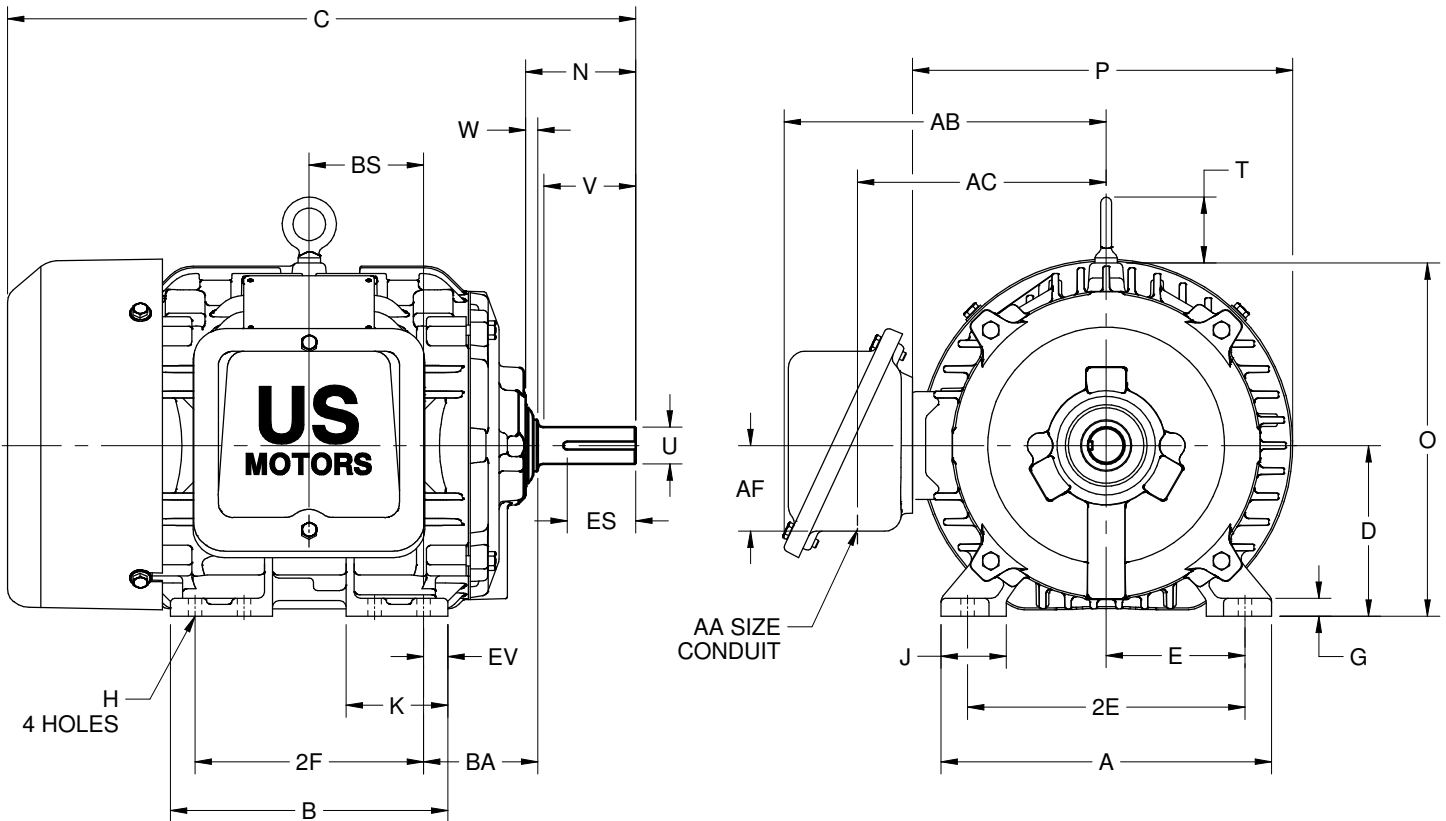
DIMENSION PRINT
WORLD MOTOR AUTO DUTY

PRINT:
08-1181

SUPERSEDES:
NEW

FRAME: 213, 215
BASIC TYPE: JDE

SHEET:
1 OF 1



ALL DIMENSIONS ARE IN INCHES AND MILLIMETERS

UNITS	A	B	C	D -.06	E	2E ±.03	G	H +.05	J	K	N	O	P ²
IN	10.13	8.50	19.25	5.25	4.25	8.50	.56	.41	2.00	3.13	3.37	10.84	11.66
MM	257	216	489	133	108	216	14	10	51	80	86	275	296

UNITS	T	U -.0005	V MIN	W	AA	AB	AC	AF	BA	BS	EV	ES MIN	SQ KEY
IN	2.03	1.1250	2.75	.38	1 NPT	9.56	7.38	2.63	3.50	3.50	.75	2.00	.250
MM	52	28.575	70	10		243	187	67	89	89	19	51	6.35

FRAME	UNITS	2F ±.03
213	IN	5.50
	MM	140
215	IN	7.00
	MM	179

1. DIMENSIONS MAY VARY .25" DUE TO CASTING AND/OR FABRICATION VARIATIONS
2. LARGEST MOTOR WIDTH
3. STANDARD ASSEMBLY POSITION F-1 IS SHOWN. F-2 IS PROVIDED WHEN SPECIFIED. CONDUIT OPENING MAY BE LOCATED IN STEPS OF 90° REGARDLESS OF THE LOCATION
4. TOLERANCES ARE SHOWN IN INCHES ONLY

08-1181/-

Nidec Motor Corporation
St. Louis, Missouri

INFORMATION DISCLOSED ON THIS DOCUMENT IS CONSIDERED PROPRIETARY AND SHALL NOT BE REPRODUCED OR DISCLOSED WITHOUT WRITTEN CONSENT OF NIDEC MOTOR CORPORATION



ISSUED BY
R. LOPEZ
APPROVED BY
P. ORTEGA

IHP_DP_NMCA (MAR-2011) SOLIDEDGE