

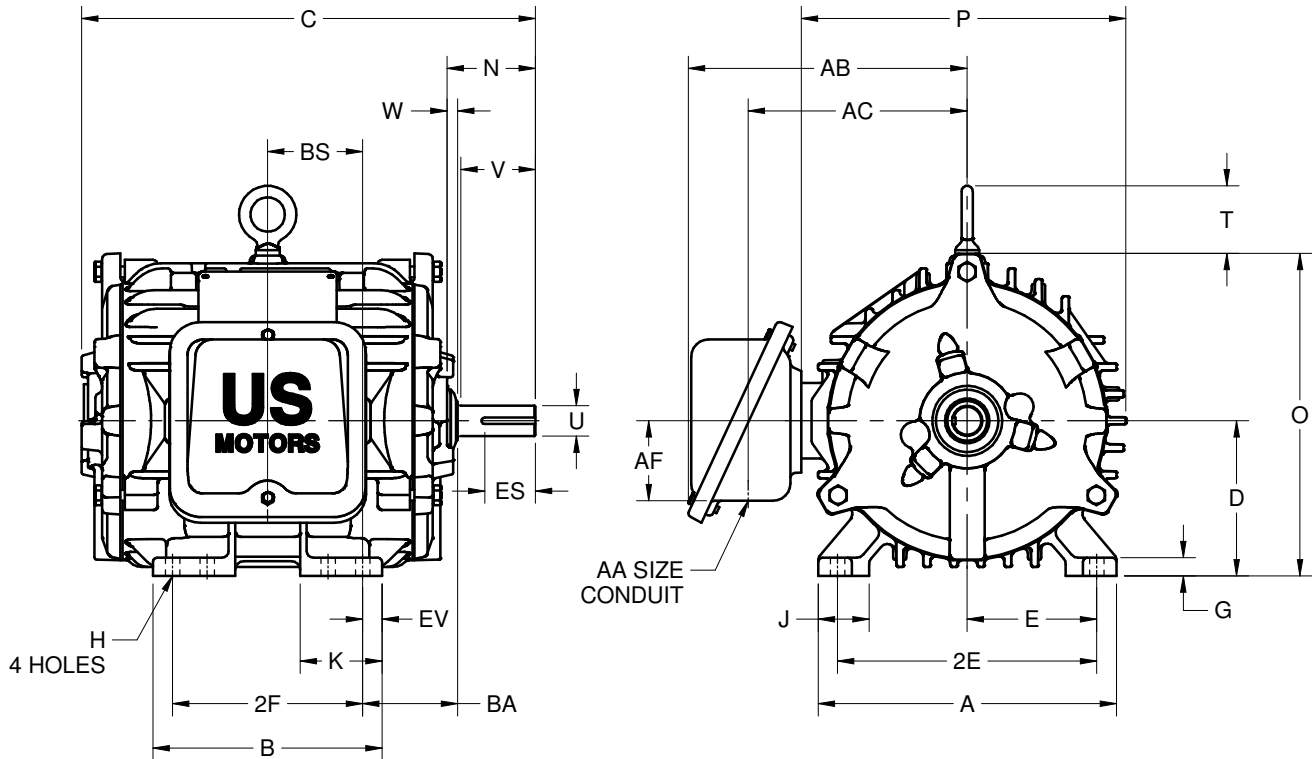
EFFECTIVE:  
**05-JUN-19**

SUPERSEDES:  
**NEW**

**DIMENSION PRINT**  
WORLD MOTOR AUTO DUTY  
FRAME: 182, 184  
BASIC TYPE: JDEN

PRINT:  
**08-1208**

SHEET:  
**1 OF 1**



ALL DIMENSIONS ARE IN INCHES AND MILLIMETERS

UNITS	A	B	C	D -.06	E	2E ±.03	G	H +.05	J	K	N	O	P <sup>2</sup>
IN	8.63	6.63	13.13	4.50	3.75	7.50	.53	.41	1.47	2.38	2.56	9.34	9.63
MM	219	168	334	114	95	191	13	10	37	60	65	237	245

UNITS	T	U -.0005	V MIN	W	AA	AB	AC	AF	BA	BS	EV	ES MIN	SQ KEY
IN	1.97	.8750	2.00	.31	3/4 NPT	8.06	6.34	2.31	2.75	2.75	.56	1.53	.188
MM	50	22.225	51	8		205	161	59	70	70	14	39	4.78

FRAME	UNITS	2F ±.03
182	IN	4.50
	MM	114
184	IN	5.50
	MM	140

1. DIMENSIONS MAY VARY .25" DUE TO CASTING AND/OR FABRICATION VARIATIONS
2. LARGEST MOTOR WIDTH
3. STANDARD ASSEMBLY POSITION F-1 IS SHOWN. F-2 IS PROVIDED WHEN SPECIFIED. CONDUIT OPENING MAY BE LOCATED IN STEPS OF 90° REGARDLESS OF THE LOCATION
4. TOLERANCES ARE SHOWN IN INCHES ONLY

08-1208/-

**Nidec Motor Corporation**  
St. Louis, Missouri

INFORMATION DISCLOSED ON THIS DOCUMENT IS CONSIDERED PROPRIETARY AND SHALL NOT BE REPRODUCED OR DISCLOSED WITHOUT WRITTEN CONSENT OF NIDEC MOTOR CORPORATION



ISSUED BY  
**L. ARROYO**  
APPROVED BY  
**G. GARCIA**

IHP\_DP\_NMCA (MAR-2011) SOLIDEDGE