

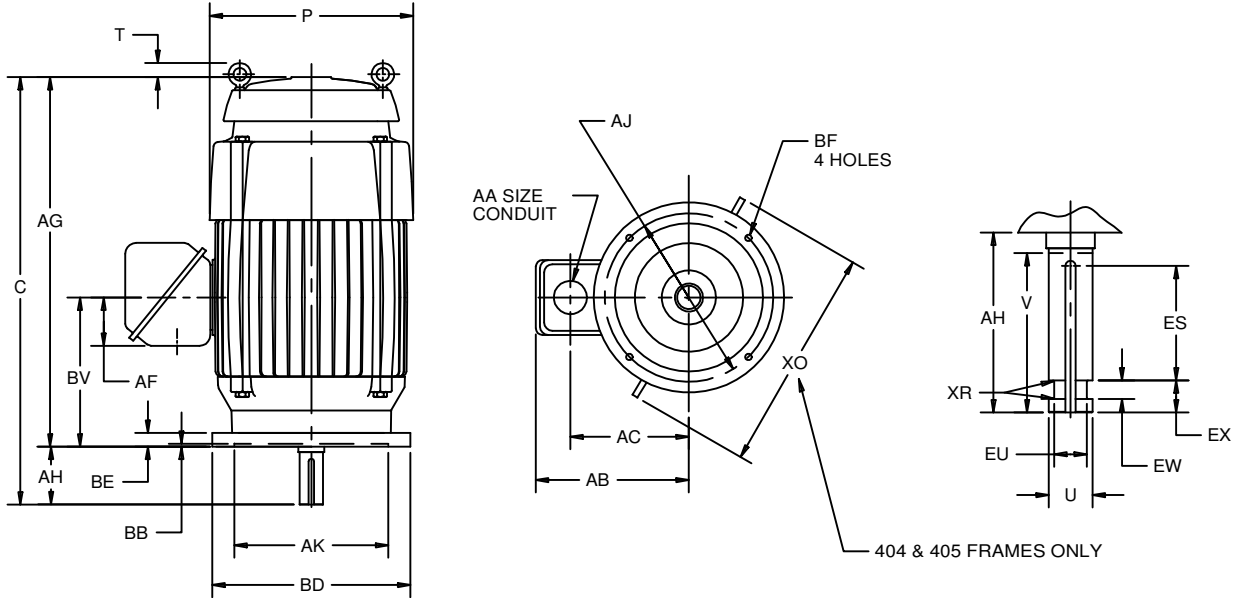
EFFECTIVE:
25-JUL-11

SUPERSEDES:
07-JUN-01

VERTICAL MOTORS
TEFC
FRAME: 324HP THRU 405LP
BASIC TYPE: TV9

PRINT:
09-1793

SHEET:
1 OF 1



ALL DIMENSIONS ARE IN INCHES

V MIN	AH ³ .031	BE	ES MIN	EW +.002	EX -.005	XR
4.50	4.500	1.00	3.03	.375	.750	.03

BASIC FRAME	C	P ²	T	AA	AB	AC	AF	AG	BV	XO
324,326	34.69	17.00	.88	2.00	14.13	10.75	3.25	30.19	11.94	---
364,365	36.75	18.75	1.31	3.00	16.50	12.25	3.38	32.25	13.00	---
404,405	42.44	21.19	---	3.00	17.75	13.50	3.38	37.94	15.63	24.13

FRAME	U -.001	AJ	AK	BB MIN	BD MAX	BF	EU -.005	SQ KEY
324,326HP 364,365HP 405HP	1.625	14.750	13.500	.25	16.50	.69	1.250	.375
324,326HPH 324,326LP	1.625	9.125	8.250	.19	12.00	.44	1.250	.375
364,365LP,HPZ 404,405LP,HPH	2.125	14.750	13.500	.25	16.50	.69	1.750	.500

- 1: ALL ROUGH DIMENSIONS MAY VARY BY .25" DUE TO CASTING AND/OR FABRICATION VARIATIONS.
- 2: LARGEST MOTOR WIDTH.
- 3: TOLERANCE IS .062 ON 404 AND 405 FRAMES.
- 4: CONDUIT OPENING MAY BE LOCATED IN STEPS OF 90 DEGREES, STANDARD AS SHOWN WITH CONDUIT OPENING DOWN.

TOLERANCES	8.250 AK	13.500 AK
"AK" DIMENSION	+.003; -.000	+.005; -.000
FACE RUNOUT	.004 T.I.R.	.004 T.I.R.
PERMISSIBLE ECCENTRICITY OF MOUNTING RABBET	.004 T.I.R.	.004 T.I.R.
PERMISSIBLE SHAFT RUNOUT	.001 T.I.R.	.001 T.I.R.
PERMISSIBLE SHAFT ENDPLAY	.0015 MAX.	.0015 MAX.

09-1793/B

Nidec Motor Corporation
St. Louis, Missouri

INFORMATION DISCLOSED ON THIS DOCUMENT IS CONSIDERED PROPRIETARY AND SHALL NOT BE REPRODUCED OR DISCLOSED WITHOUT WRITTEN CONSENT OF NIDEC MOTOR CORPORATION



ISSUED BY
E. WENDT
APPROVED BY
K. POTTER

IHP_DP_NMCA (MAR-2011) SOLIDEDGE