

EFFECTIVE:
26-JUL-11

SUPERSEDES:
16-MAY-02

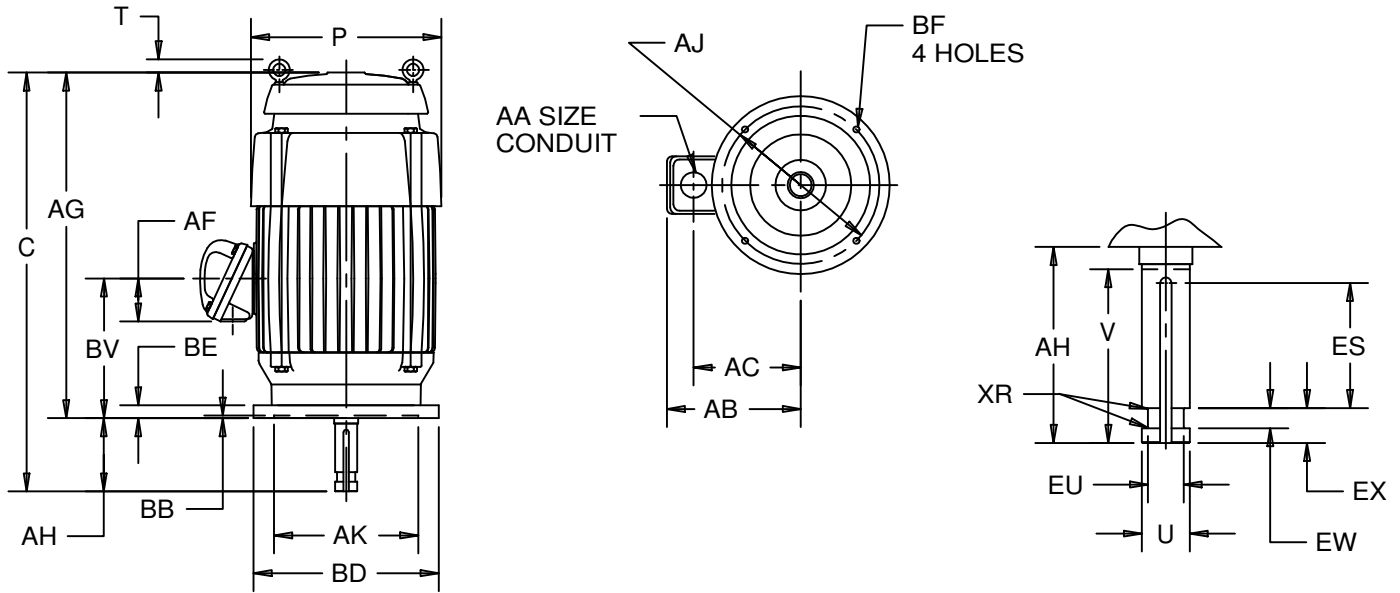
VERTICAL MOTORS

EXPLOSION PROOF - HIGH THRUST

FRAME: 182, 184VP
BASIC TYPE: LV4, NV4

PRINT:
09-2422

SHEET:
1 OF 1



ALL DIMENSION ARE IN INCHES AND MILLIMETERS

| UNITS | C | P | T | U -.0005 | V MIN | AA | AB | AC | AF | AG | AH ±.062 | AJ |
|-------|-------|-------|------|-------------|----------|-------|------|------|------|-------|-------------|--------|
| IN | 23.25 | 11.06 | 1.31 | 1.1250 | 2.75 | 1 NPT | 9.19 | 6.81 | 2.63 | 20.50 | 2.750 | 9.125 |
| MM | 591 | 281 | 33 | 28.575 | 70 | | 233 | 173 | 69 | 521 | 69.85 | 231.78 |

| UNITS | AK +.003 | BB MIN | BD MAX | BE | BF | BV | ES MIN | EU -.005 | EW +.002 | EX -.005 | XR | SQ KEY |
|-------|-------------|-----------|-----------|-----|-----|------|-----------|-------------|-------------|-------------|-----|-----------|
| IN | 8.250 | .19 | 10.00 | .75 | .44 | 8.00 | 1.25 | .875 | .375 | .750 | .03 | .250 |
| MM | 209.55 | 5 | 254 | 19 | 11 | 203 | 32 | 22.23 | 9.53 | 19.05 | 1 | 6.35 |

- 1: ALL ROUGH DIMENSIONS MAY VARY BY .25" DUE TO CASTING AND/OR FABRICATION VARIATIONS.
- 2: LARGEST MOTOR WIDTH.
- 3: CONDUIT OPENING MAY BE LOCATED IN STEPS OF 90 DEGREES. STANDARD AS SHOWN WITH CONDUIT OPENING DOWN.
- 4: TOLERANCES SHOWN ARE IN INCHES.

| TOLERANCES | |
|---|-------------|
| FACE RUNOUT | .004 T.I.R. |
| PERMISSIBLE ECCENTRICITY OF MOUNTING RABBET | .004 T.I.R. |
| PERMISSIBLE SHAFT RUNOUT | .002 T.I.R. |

09-2422/A

Nidec Motor Corporation
St. Louis, Missouri

INFORMATION DISCLOSED ON THIS DOCUMENT IS CONSIDERED PROPRIETARY AND SHALL NOT BE REPRODUCED OR DISCLOSED WITHOUT WRITTEN CONSENT OF NIDEC MOTOR CORPORATION



ISSUED BY
E. WENDT
APPROVED BY
K. POTTER

IHP_DP_NMCA (MAR-2011) SOLIDEDGE