

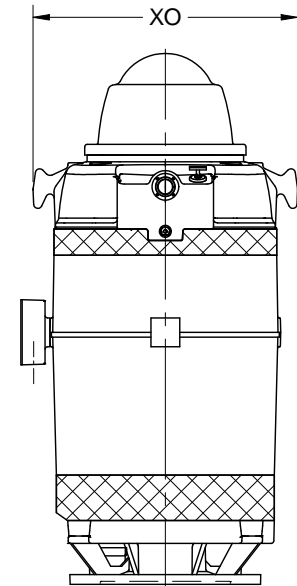
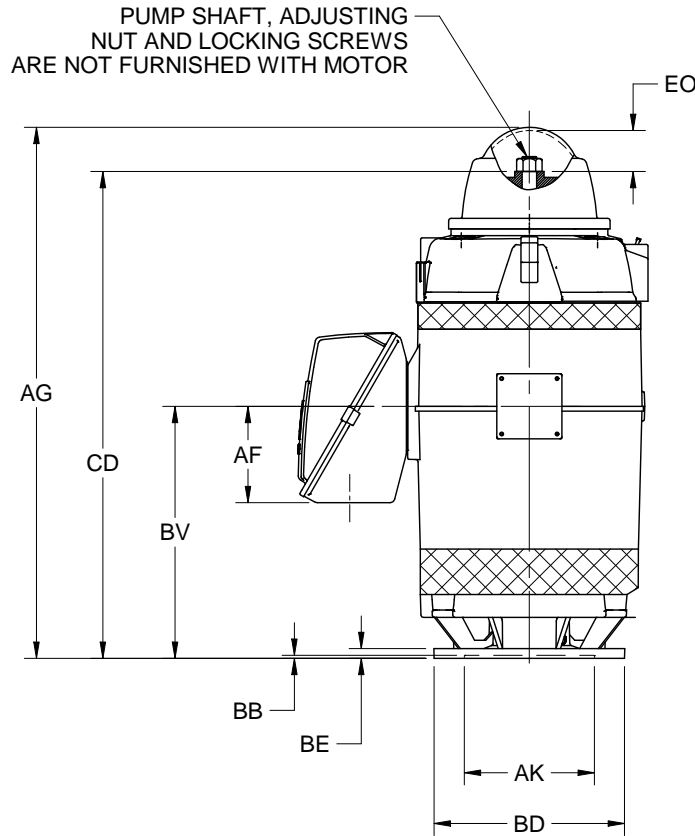
EFFECTIVE:
08-FEB-21

DIMENSION PRINT
WEATHER PROTECTED TYPE I
FRAME: 447TP, TPA, TPB
BASIC TYPE: RU

PRINT:
09-2628

SUPERSEDES:
19-FEB-20

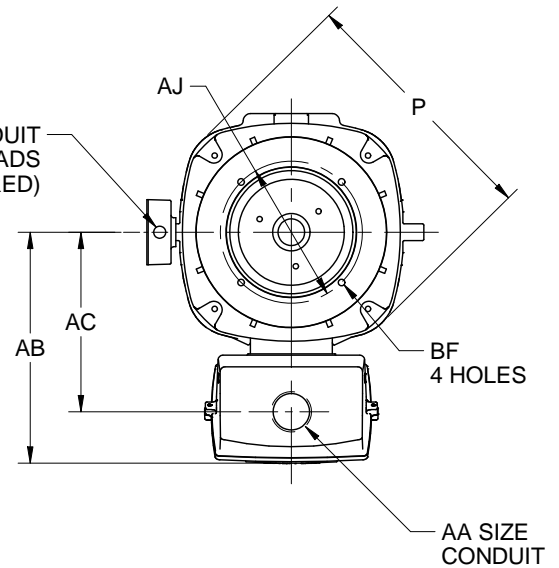
SHEET:
1 OF 1



ALL DIMENSIONS ARE IN INCHES AND MILLIMETERS

FRAME	UNITS	BD MAX	AA		DM
447TP	IN	16.50	2 NPT	DM	3/4 NPT
	MM	419			
447TPA	IN	20.00	2 1/2 NPT		
	MM	508	3 NPT		
447TPB	IN	24.50	3 1/2 NPT		1 NPT
	MM	622	4 NPT		1 1/2 NPT

DM SIZE CONDUIT
(FOR ACCESSORY LEADS
AS REQUIRED)



UNITS	P ²	AB	AC	AF
IN	26.94	24.25	18.75	10.00
MM	684	616	476	254

UNITS	AG	AJ	AK	BB MIN	BE
IN	55.00	14.750	13.500	.25	1.00
MM	1397	374.65	342.90	6	25

UNITS	BF	BV	CD	EO	XO
IN	.69	26.19	49.78	5.13	27.50
MM	18	665	1264	130	699

- DIMENSIONS MAY VARY .25" DUE TO CASTING AND/OR FABRICATION VARIATIONS.
- LARGEST MOTOR WIDTH.
- CONDUIT OPENINGS MAY BE ROTATED IN STEPS OF 90 DEGREES. STANDARD AS SHOWN WITH CONDUIT OPENINGS DOWN.

TOLERANCES	IN	MM
FACE RUNOUT	.007 TIR	.18 TIR
PERMISSIBLE ECCENTRICITY OF MOUNTING RABBET	.007 TIR	.18 TIR
MAXIMUM SHAFT END PLAY	.010	.25
TOLERANCE ON "AK" DIM.	+.005	+.13

09-2628/F

Nidec Motor Corporation
St. Louis, Missouri

INFORMATION DISCLOSED ON THIS DOCUMENT IS CONSIDERED PROPRIETARY AND SHALL NOT BE REPRODUCED OR DISCLOSED WITHOUT WRITTEN CONSENT OF NIDEC MOTOR CORPORATION



ISSUED BY
K. FRIEDMAN
APPROVED BY
J. O'BRIEN

IHP_DP_NMCA (MAR-2011) SOLIDEDGE