

EFFECTIVE:
29-JUL-15

DIMENSION PRINT

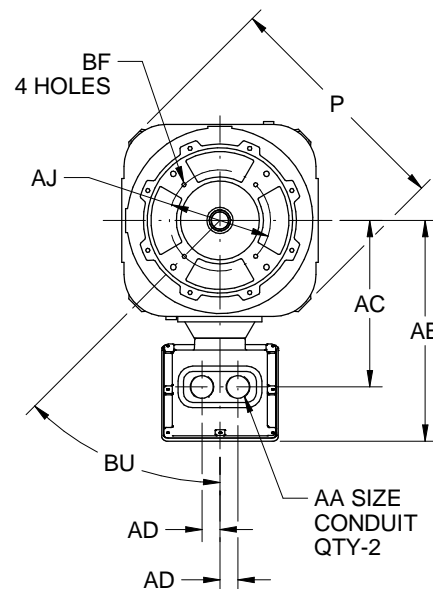
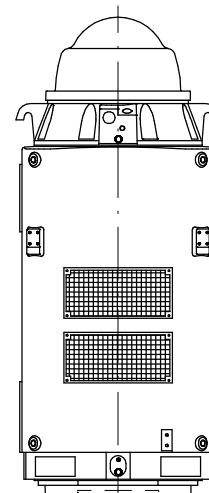
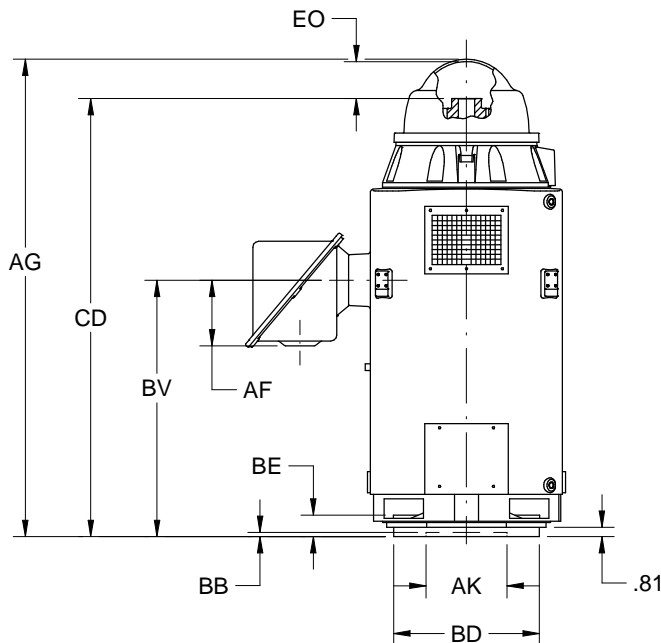
WEATHER PROTECTED TYPE I

PRINT:
09-2657-92

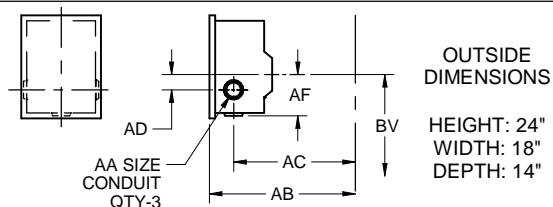
SUPERSEDES:
25-MAR-15

FRAME: 5000PH, PA
BASIC TYPE: RU

SHEET:
1 OF 2



OPTIONAL 5600 CUBIC INCH CONDUIT BOX



TOLERANCES

FACE RUNOUT	.007 T.I.R.
PERMISSIBLE ECCENTRICITY OF MOUNTING RABBET	.007 T.I.R.
MAXIMUM SHAFT END PLAY	.010

FRAME	P	AG	BV	CD	EO
5008	40.00	63.88	27.00	57.06	6.42
5012		78.88	42.00	72.30	

FRAME	AJ	AK +0.005	BB MIN	BD MAX	BE	BF
5000PH	14.750	13.500	.25	20.00	2.19	.69
5000P ³	14.750	13.500		24.50		.69
	22.000			30.50		.94
5000PA	26.000	22.000				.81

VOLTS	C/BOX VOLUME (CU.IN.)	AB	AC	AD	AF	BU
0-4800	3400	36.50	27.88	3.00	10.94	45°
4801-6900	5600	36.13	30.13	4.00	10.81	

AA
2 NPT
2 1/2 NPT
3 NPT
3 1/2 NPT
4 NPT

1. DIMENSIONS MAY VARY .25" DUE TO CASTING AND/OR FABRICATION VARIATIONS.
2. DIMENSIONS AND TOLERANCES ARE SHOWN IN INCHES.
3. 5000P HAS TWO BOLT CIRCLES.

09-2657/C

Nidec Motor Corporation
St. Louis, Missouri

INFORMATION DISCLOSED ON THIS DOCUMENT
IS CONSIDERED PROPRIETARY AND SHALL NOT BE
REPRODUCED OR DISCLOSED WITHOUT WRITTEN
CONSENT OF NIDEC MOTOR CORPORATION



ISSUED BY
T. BARTLEY
APPROVED BY
C. CADE

IHP_DP_NMCA (MAR-2011) SOLIDEDGE

EFFECTIVE:
29-JUL-15

DIMENSION PRINT

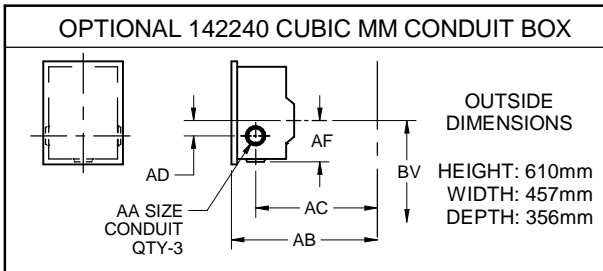
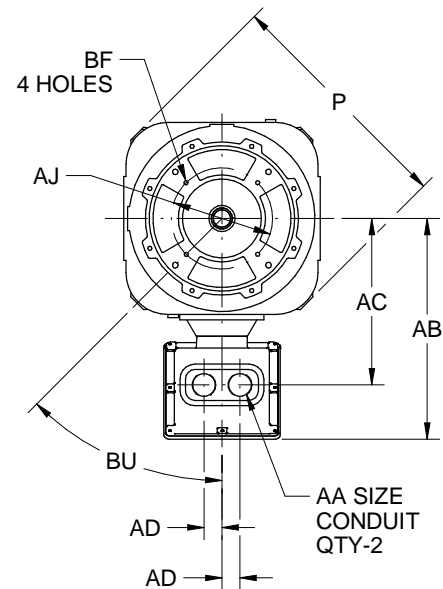
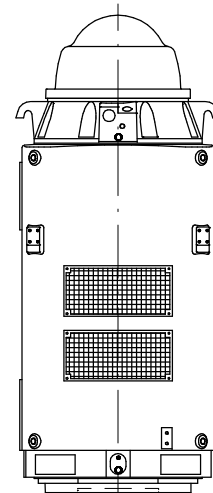
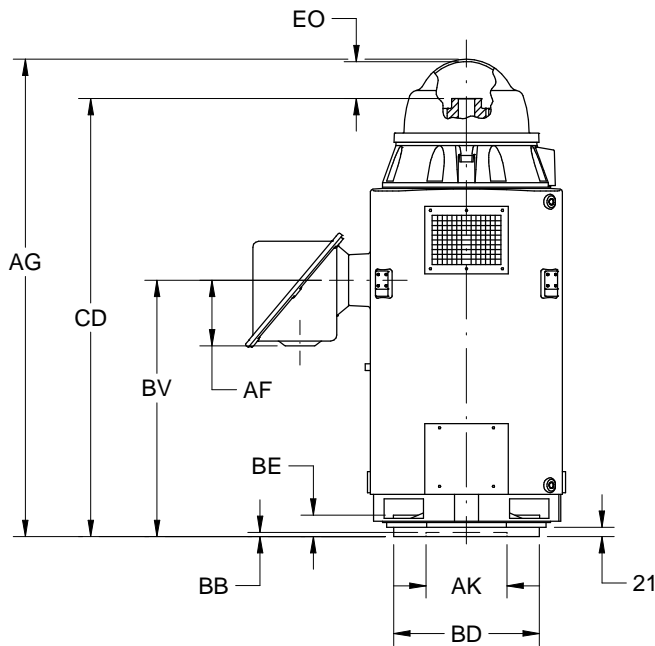
WEATHER PROTECTED TYPE I

PRINT:
09-2657-92

SUPERSEDES:
25-MAR-15

FRAME: 5000PH, PA
BASIC TYPE: RU

SHEET:
2 OF 2



TOLERANCES	
FACE RUNOUT	.18 T.I.R.
PERMISSIBLE ECCENTRICITY OF MOUNTING RABBET	.18 T.I.R.
MAXIMUM SHAFT END PLAY	.25

FRAME	P	AG	BV	CD	EO
5008	1016	1623	686	1449	163
5012		2004	1067	1836	

FRAME	AJ	AK +.13	BB MIN	BD MAX	BE	BF
5000PH	374.65	342.90	6	508	56	18
5000P ³	374.65	342.90		622		18
	558.80			775		24
5000PA	660.40	558.80		775		21

VOLTS	C/BOX VOLUME (CU.IN.)	AB	AC	AD	AF	BU
0-4800	3400	927	708	76	278	45°
4801-6900	5600	918	765	102	275	

AA
2 NPT
2 1/2 NPT
3 NPT
3 1/2 NPT
4 NPT

1. DIMENSIONS MAY VARY 6mm DUE TO CASTING AND/OR FABRICATION VARIATIONS.
2. DIMENSIONS AND TOLERANCES ARE SHOWN IN MILLIMETERS.
3. 5000P HAS TWO BOLT CIRCLES.

09-2657/C

Nidec Motor Corporation
St. Louis, Missouri

INFORMATION DISCLOSED ON THIS DOCUMENT IS CONSIDERED PROPRIETARY AND SHALL NOT BE REPRODUCED OR DISCLOSED WITHOUT WRITTEN CONSENT OF NIDEC MOTOR CORPORATION



ISSUED BY
T. BARTLEY
APPROVED BY
C. CADE

IHP_DP_NMCA (MAR-2011) SOLIDEDGE