

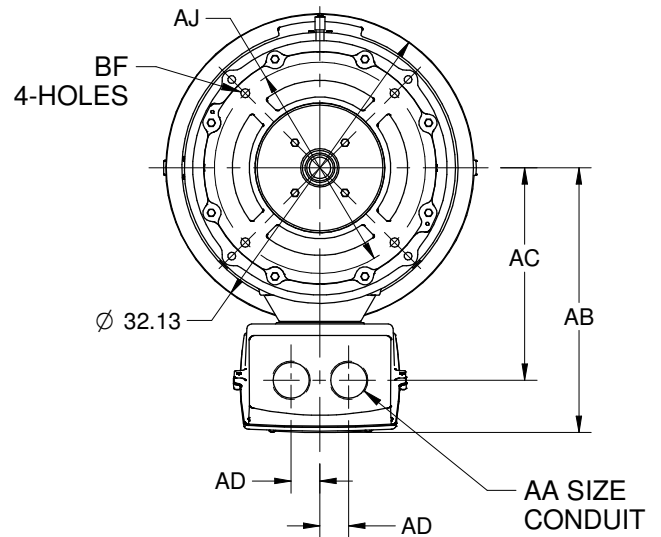
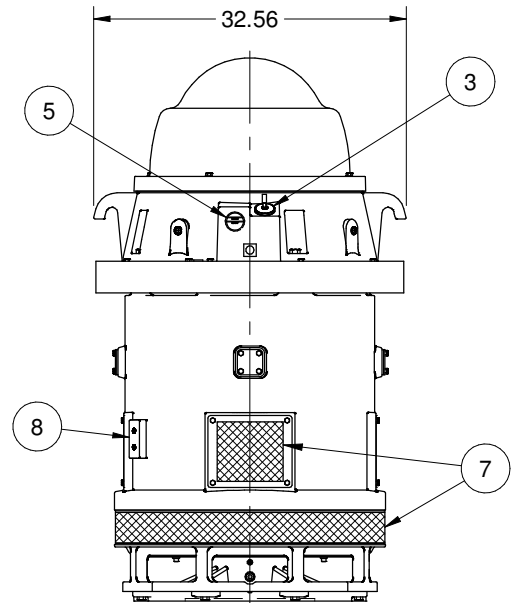
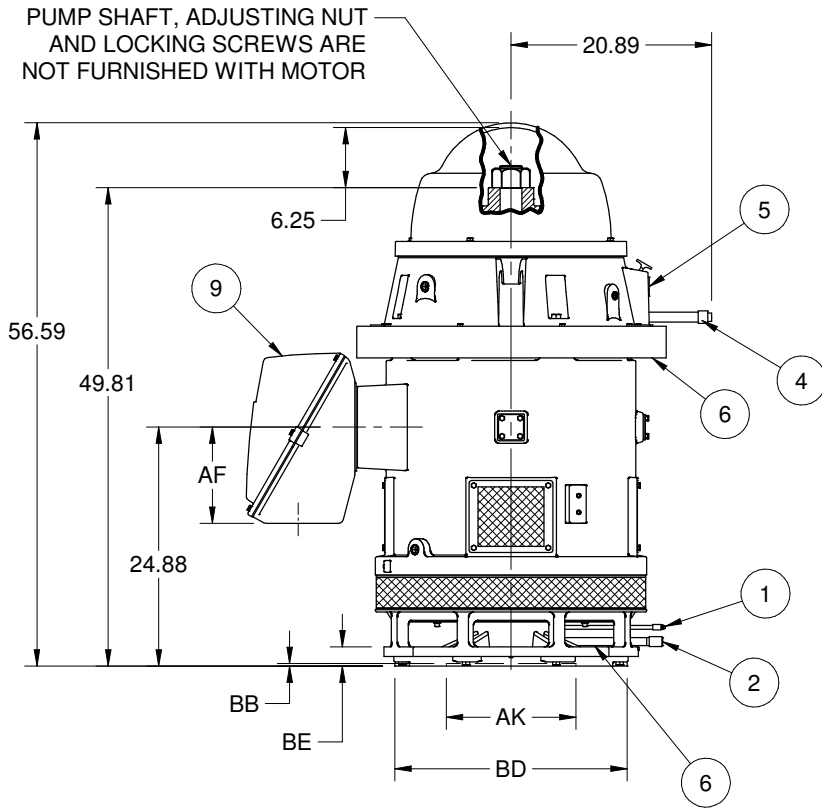
EFFECTIVE:
14-SEP-18

DIMENSION PRINT
WEATHER PROTECTED TYPE I
FRAME: 449TPH, TP, TPA
BASIC TYPE: RU

PRINT:
09-3307

SUPERSEDES:
05-SEP-18

SHEET:
1 OF 1



AA
2 NPT
2 1/2 NPT
3 NPT
3 1/2 NPT
4 NPT

C/BOX VOLUME (CU. IN.)	QTY OF CONDUIT HOLES	AB	AC	AD	AF
2000	2	27.63	22.13	3.50	10.00
3400	2	33.28	24.25	3.00	10.94

FRAME	AJ	AK +.005	BB MIN	BD MAX	BE	BF
449PH	14.75	13.500	.25	20.00	2.00	.688
10 449P	14.75	13.500		24.50		.688
	22.00			30.50		.938
449PA	26.00	22.000		.813		

FEATURE LISTING

1 LOWER GREASE FILL	6 AIR INTAKE, 360° AROUND
2 LOWER GREASE DRAIN	7 AIR EXHAUST, 360° AROUND
3 UPPER SUMP OIL FILL	8 GRD PADS, DIAG OPP, 1/2-13
4 UPPER SUMP OIL DRAIN	9 MAIN CONDUIT BOX
5 UPPER SUMP SIGHT WINDOW	10 449P HAS TWO BOLT CIRCLES

ALL DIMENSIONS ARE IN INCHES.

TOLERANCES	
FACE RUNOUT	.007 TIR
PERMISSIBLE ECCENTRICITY OF MOUNTING RABBET	.007 TIR
NON-MACHINED DIMENSIONS MAY VARY BY ±.25	

Nidec Motor Corporation
St. Louis, Missouri

INFORMATION DISCLOSED ON THIS DOCUMENT IS CONSIDERED PROPRIETARY AND SHALL NOT BE REPRODUCED OR DISCLOSED WITHOUT WRITTEN CONSENT OF NIDEC MOTOR CORPORATION



ISSUED BY
R. KING
APPROVED BY
T. COLOMA

IHP_DP_NMCA (MAR-2011) SOLIDEDGE