

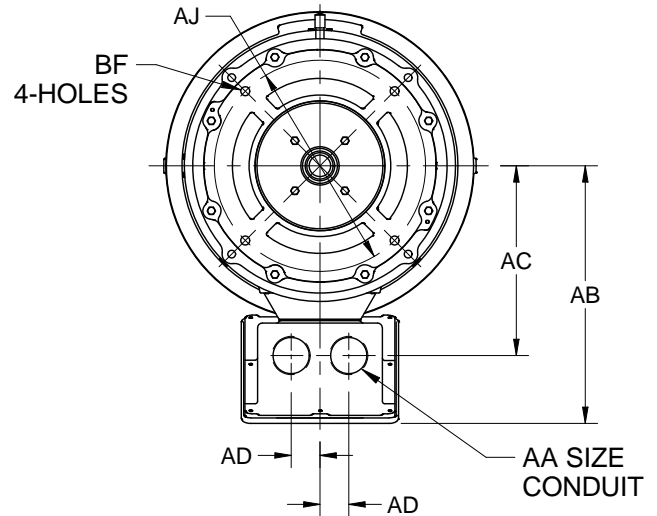
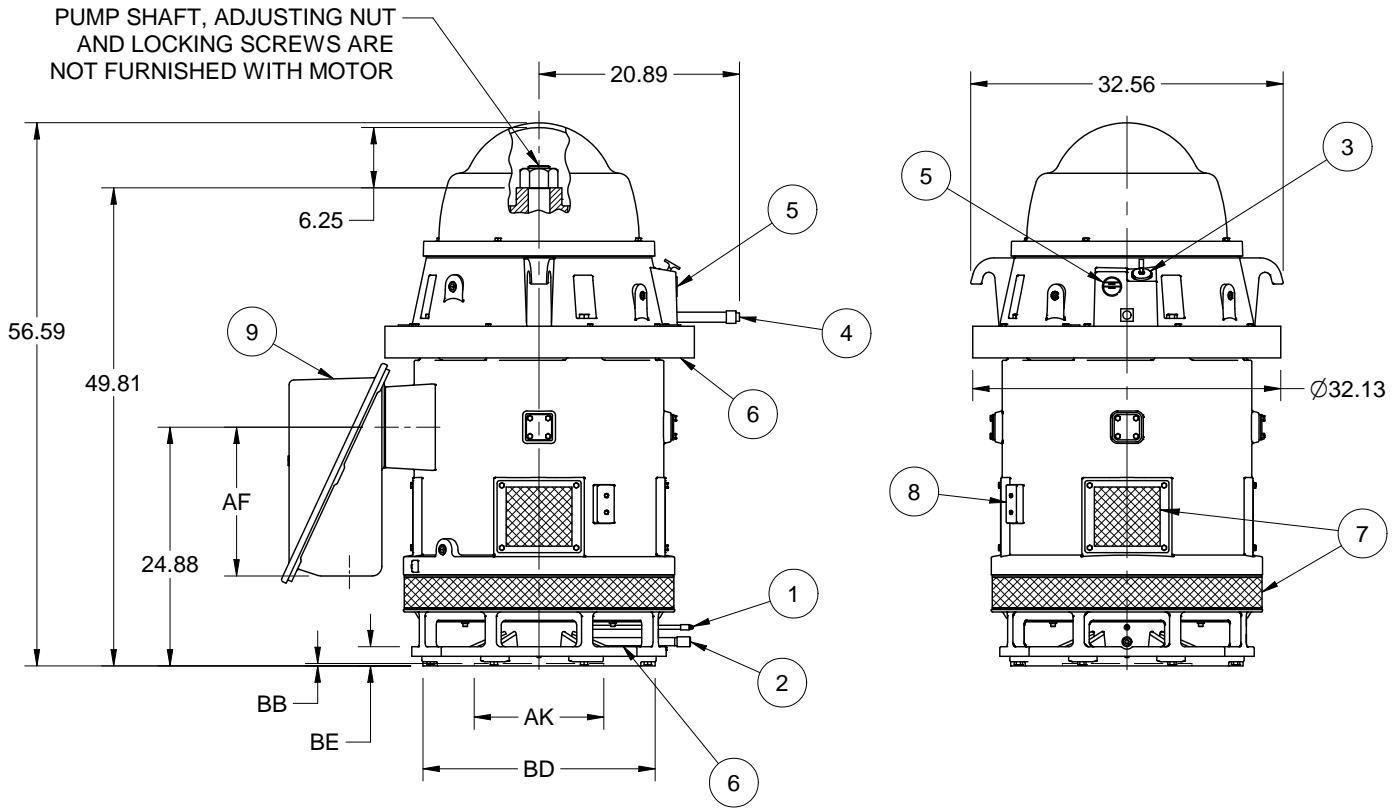
EFFECTIVE:  
**01-NOV-19**

SUPERSEDES:  
**03-OCT-19**

**DIMENSION PRINT**  
WEATHER PROTECTED TYPE I  
FRAME: 449TPH, TP, TPA  
BASIC TYPE: RU

PRINT:  
**09-3363**

SHEET:  
**1 OF 1**



AA
2 NPT
2 1/2 NPT
3 NPT
3 1/2 NPT
4 NPT

C/BOX VOLUME (CU. IN.)	QTY OF CONDUIT HOLES	AB	AC	AD	AF
2000	2	26.84	19.75	3.00	15.50
3400	2	31.44	19.75	3.00	15.50

FRAME	AJ	AK +.005	BB MIN	BD MAX	BE	BF
449PH	14.75	13.500	.25	20.00	2.00	.688
⑩ 449P	14.75	13.500		24.50		.688
	22.00			30.50		.938
449PA	26.00	22.000		.813		

FEATURE LISTING

1 LOWER GREASE FILL	6 AIR INTAKE, 360° AROUND
2 LOWER GREASE DRAIN	7 AIR EXHAUST, 360° AROUND
3 UPPER SUMP OIL FILL	8 GRD PADS, DIAG OPP, 1/2-13
4 UPPER SUMP OIL DRAIN	9 MAIN CONDUIT BOX
5 UPPER SUMP SIGHT WINDOW	10 449P HAS TWO BOLT CIRCLES

ALL DIMENSIONS ARE IN INCHES.

TOLERANCES	
FACE RUNOUT	.007 TIR
PERMISSIBLE ECCENTRICITY OF MOUNTING RABBET	.007 TIR
NON-MACHINED DIMENSIONS MAY VARY BY ±.25	

09-3363/D

**Nidec Motor Corporation**  
St. Louis, Missouri

INFORMATION DISCLOSED ON THIS DOCUMENT IS CONSIDERED PROPRIETARY AND SHALL NOT BE REPRODUCED OR DISCLOSED WITHOUT WRITTEN CONSENT OF NIDEC MOTOR CORPORATION



ISSUED BY  
**K. FRIEDMAN**  
APPROVED BY  
**K. POTTER**

IHP\_DP\_NMCA (MAR-2011) SOLIDEDGE