

EFFECTIVE:
06-NOV-19

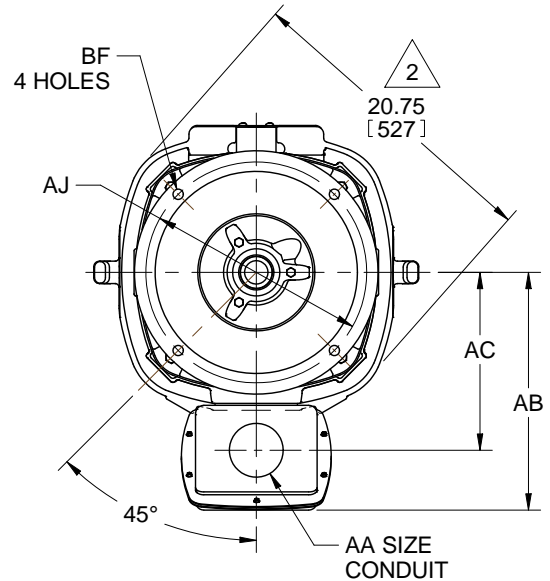
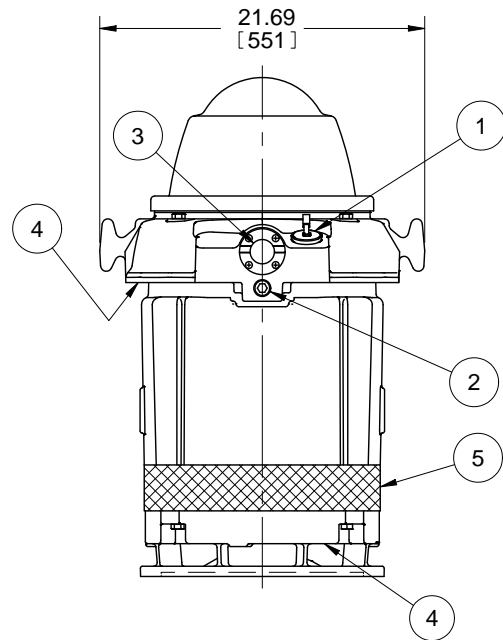
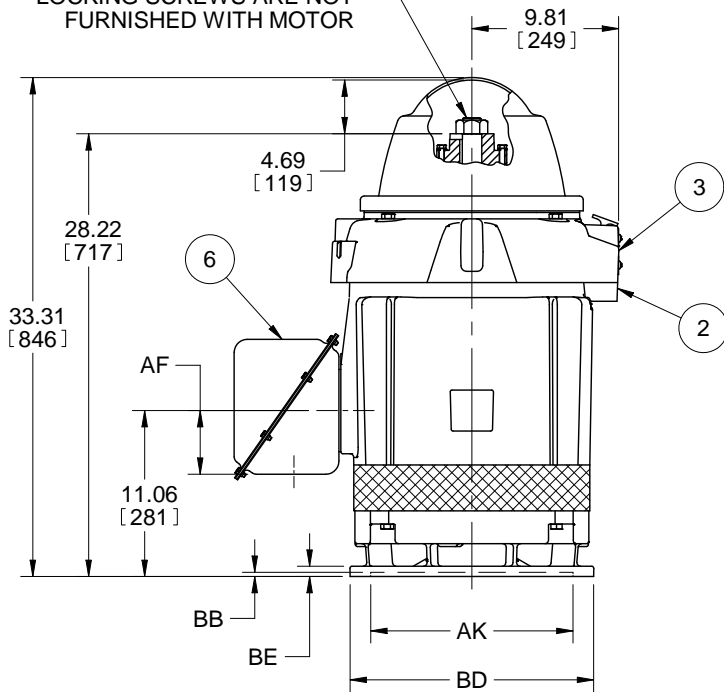
DIMENSION PRINT
WEATHER PROTECTED TYPE I
FRAME: 320TP, TPH
BASIC TYPE: RU

PRINT:
09-3419

SUPERSEDES:
NEW

SHEET:
1 OF 1

PUMP SHAFT, ADJUSTING NUT AND LOCKING SCREWS ARE NOT FURNISHED WITH MOTOR



ALL DIMENSIONS ARE IN INCHES AND MILLIMETERS
(TOLERANCES ARE IN INCHES)

UNITS	C/BOX VOLUME (CU. IN.)	AA	AB	AC	AF
IN	470	3.00	15.88	11.88	4.25
MM			403	302	108

FRAME	UNITS	AJ	AK +0.005	BB MIN	BD MAX	BE	BF
324, 326TP	IN	14.750	13.500	.25	16.50	.69	.688
	MM	374.65	342.9	6	419	18	17.48
324, 326TPH	IN	9.125	8.250	.19	12.00	.69	.438
	MM	231.78	209.55	5	305	18	11.13

1. CONDUIT OPENING MAY BE LOACTED IN STEPS OF 90 DEGREES. STANDARD AS SHOWN WITH CONDUIT OPENING DOWN.

2. LARGEST MOTOR WIDTH.

FEATURE LISTING

NO.	DESCRIPTION	NO.	DESCRIPTION
1	UPPER SUMP OIL FILL	6	MAIN CONDUIT BOX
2	UPPER SUMP OIL DRAIN		
3	UPPER SUMP SIGHT WINDOW		
4	AIR INTAKE		
5	AIR EXHAUST, 360° AROUND		

TOLERANCES	8.250 AK	13.500 AK
FACE RUNOUT	.004 TIR	.007 TIR
PERMISSIBLE ECCENTRICITY OF MOUNTING RABBET	.004 TIR	.007 TIR
TOLERANCE ON AK DIMENSION	+0.003	+0.005
NON-MACHINED DIMENSIONS MAY VARY BY ±.25		

09-3419/-

Nidec Motor Corporation
St. Louis, Missouri

INFORMATION DISCLOSED ON THIS DOCUMENT IS CONSIDERED PROPRIETARY AND SHALL NOT BE REPRODUCED OR DISCLOSED WITHOUT WRITTEN CONSENT OF NIDEC MOTOR CORPORATION



ISSUED BY
K. FRIEDMAN
APPROVED BY
T. KIRKLEY

IHP_DP_NMCA (MAR-2011) SOLIDEDGE