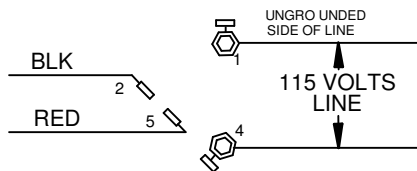


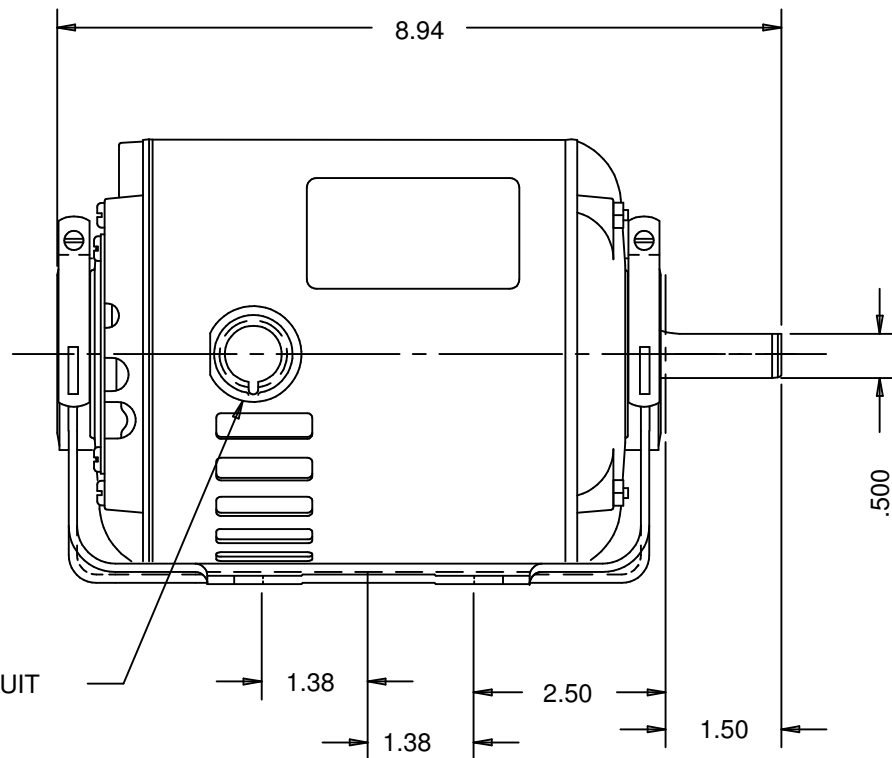
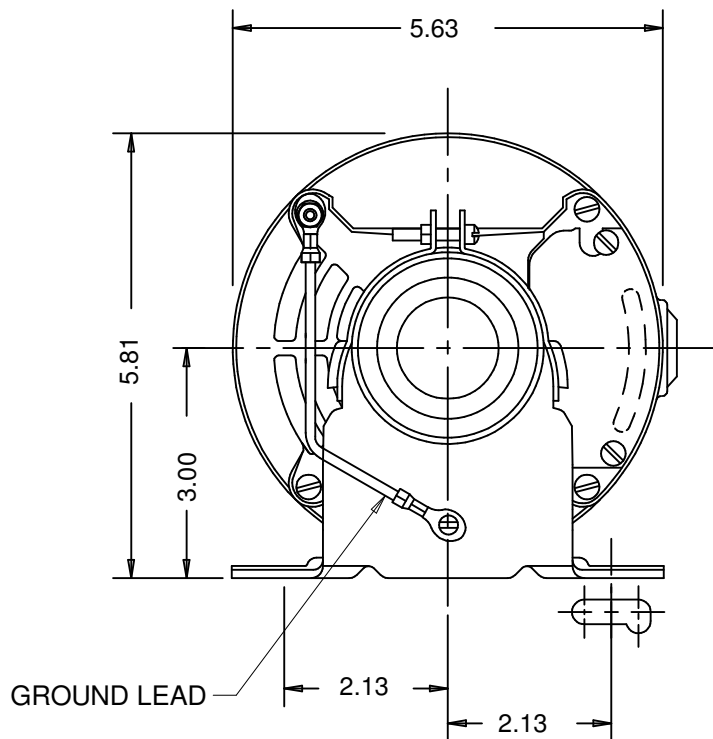
CONNETIONS



REV E

SUPPLIED DETACHED:
 1-5/8 SHAFT ADAPTER
 1-SHAFT KEY
 1-KIT BAG

TO REVERSE ROTATION
 SWITH RED & BLK LEADS



NIDEC MOTOR CORPORATION 20-Nov-18

BALL BEARING

MODEL	REF	CUSTOMER	HP	VOLTS	AMPS	HZ	RPM	ROTATION	CUSTOMER PN
SA55JXSFA-4865	-	STANDARD	1/4	115	5.3	60	1725	CW LEAD END REV	840CV

SHEET NUMBER	REV	REVISION RECORD FOR: ECO E32680
1 OF 1	E	WAS CHANGED THE NOTE OF (FORM INSTAL. INSTR.) TO (KIT BAG).
REVISION DATE		
21-NOV-18		

INFORMATION DISCLOSED ON THIS DOCUMENT IS CONSIDERED PROPRIETARY AND SHALL NOT BE REPRODUCED OR DISCLOSED WITHOUT WRITTEN CONSENT OF NIDEC MOTOR CORPORATION

NIDEC MOTOR CORPORATION

ALL DIMENSIONS ARE FOR REFERENCE ONLY UNLESS TOLERANCE IS GIVEN

ISSUED BY	REVIEWED BY	ENGINEER APPROVED	TITLE	CODE	ITEM NO.	SIZE
G. ISASSI	K. MORT	B. GAITAN	ASSEMBLED VIEW	V01	752428	A