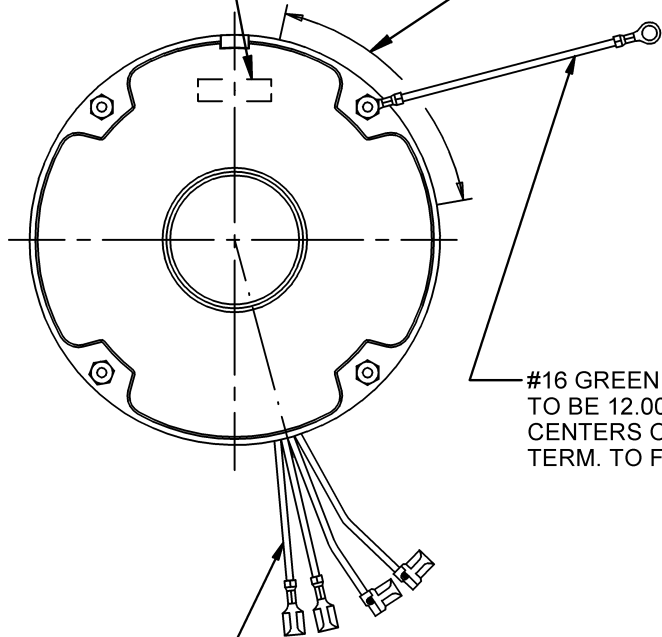


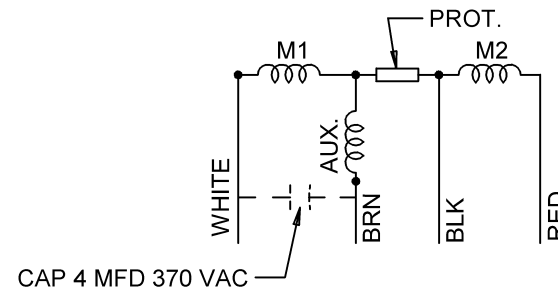
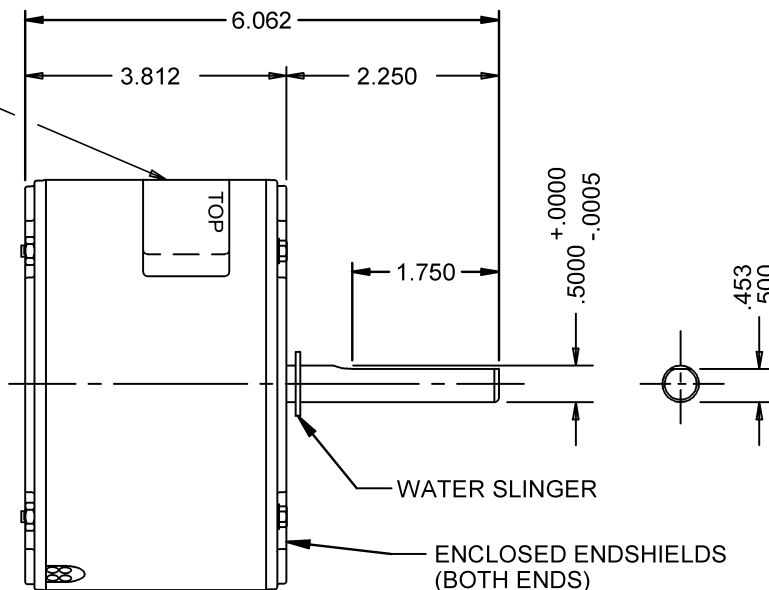
AUTOMATIC
THERMAL
PROTECTOR

NAMEPLATE



#16 GREEN GROUND LEAD
TO BE 12.000" BETWEEN
CENTERS OF TERMS.
TERM. TO FIT #10 SCREW

(4) LEADS #18 AWG .062 THICK INCH
TO EXTEND 35.000 BEYOND MOTOR



REV.
A

NIDEC MOTOR CORPORATION 30-Oct-12

MODEL	REF	CUSTOMER	HP	VOLTS	AMPS	HZ	RPM	ROTATION	CUSTOMER PN	
K55HXTRN-9910	A20054	STANDARD	1/12	265	0.6	60	1250/2 SPD	C.C.W. LEAD END	CAT 1954	
SHEET NUMBER 1 OF 1	REV A	REVISION RECORD FOR: C6473-00			INFORMATION DISCLOSED ON THIS DOCUMENT IS CONSIDERED PROPRIETARY AND SHALL NOT BE REPRODUCED OR DISCLOSED WITHOUT WRITTEN CONSENT OF NIDEC MOTOR CORPORATION				NIDEC MOTOR CORPORATION	
REVISION DATE	UPDATED BACKGROUND TO NIDEC									
30-OCT-12										
ISSUED BY R. MORALES				REVIEWED BY J. I. SALAZAR		ENGINEER APPROVED B. GAITAN		ALL DIMENSIONS ARE FOR REFERENCE ONLY UNLESS TOLERANCE IS GIVEN		
TITLE ASSEMBLED VIEW							CODE V01	ITEM NO. 755763	SIZE A	