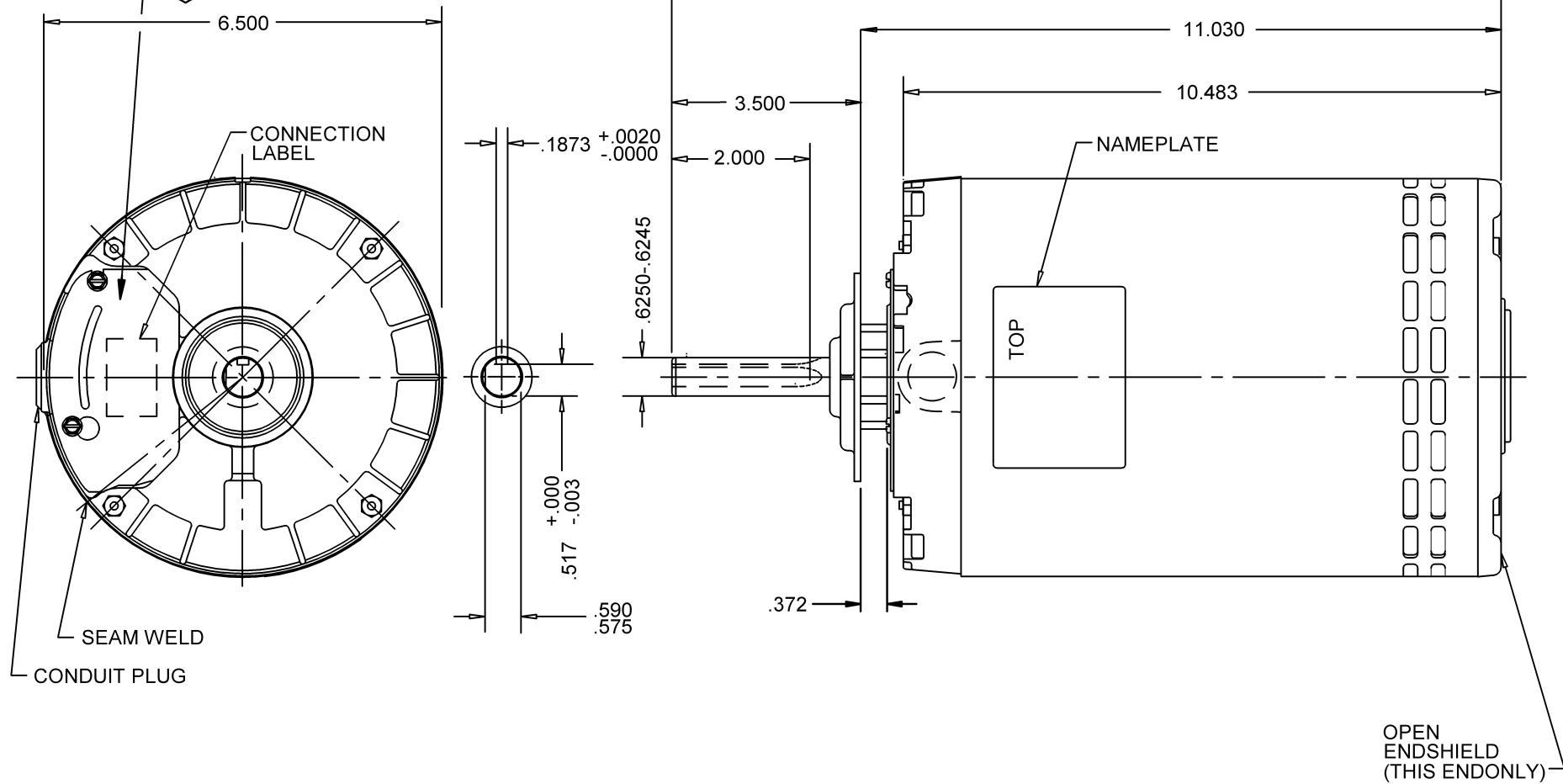


TERMINAL COVER
GASKET.

REV
E



NIDEC MOTOR CORPORATION 30-Jul-14

MODEL	REF	CUSTOMER	HP	VOLTS	AMPS	HZ	RPM	ROTATION	CUSTOMER PN
P63SYCLY-5024		WHOLESALE	1.5	208-230/460	6.6-3.3	60/50	830	CCW LE, REV.	1219

SHEET NUMBER	REV	REVISION RECORD FOR:
1 OF 1	E	D1619-00
		ADDED NOTE OF "TERMINAL COVER GASKET".
REVISION DATE		
30-JUL-14		

INFORMATION DISCLOSED ON THIS DOCUMENT IS CONSIDERED PROPRIETARY AND SHALL NOT BE REPRODUCED OR DISCLOSED WITHOUT WRITTEN CONSENT OF NIDEC MOTOR CORPORATION

NIDEC MOTOR CORPORATION

ALL DIMENSIONS ARE FOR REFERENCE ONLY UNLESS TOLERANCE IS GIVEN

ISSUED BY	REVIEWED BY	ENGINEER APPROVED	TITLE	CODE	ITEM NO.	SIZE
I. GUTIERREZ	M. GUZMAN	B. GAITAN	ASSEMBLED VIEW	V01	793457	A