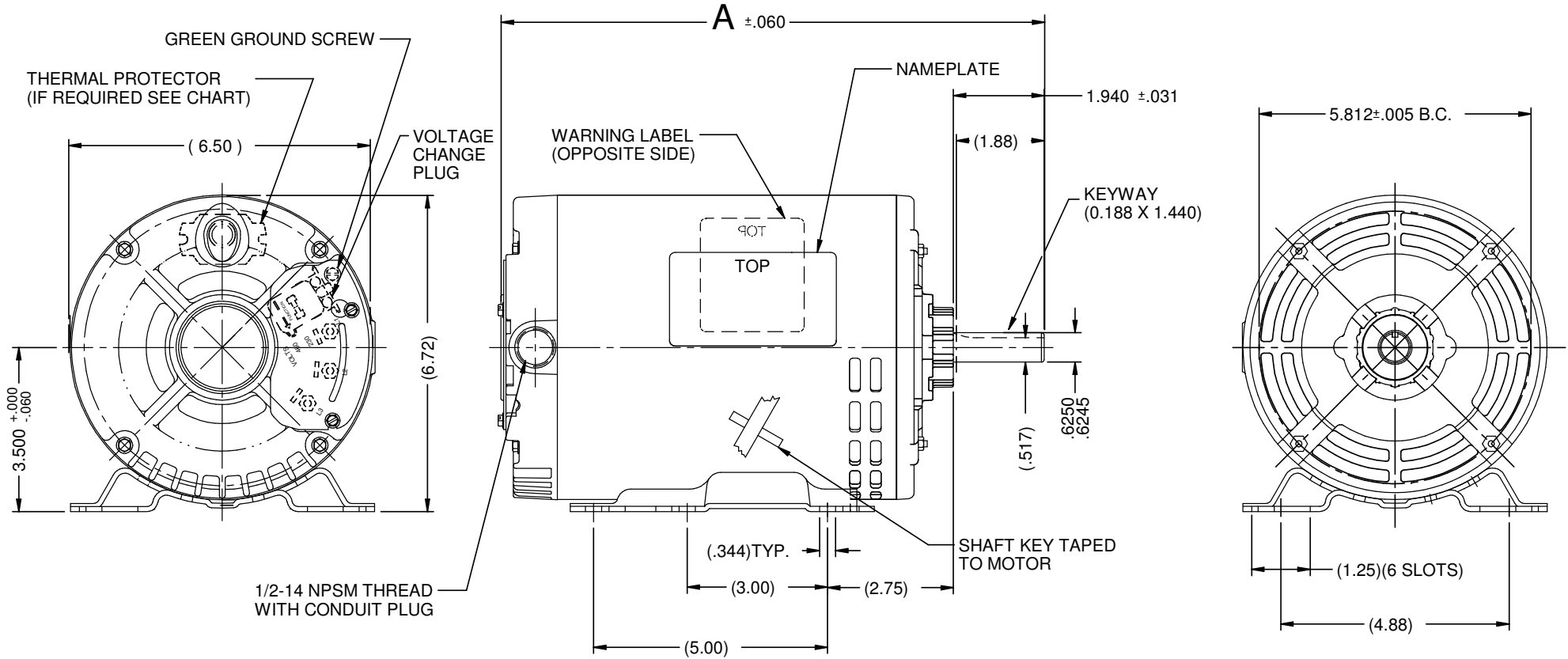


VAR	MODEL	CUSTOMER	CAT. NO.	A	B	C	D	HP	VOLTS	SF	AMPS	HZ	RPM	CONN VOLTS	PROT.	DESCRIPTION / REMARKS
001	P063PYSAD-1325	USEM	1815P	12.888	----	----	----	2.0	208-230/460	1.15	6.0-6.2/3.1	60&50	1725&1425	460	AUTO	N56H, ODP
002	P063TYSAC-1397	WHOLESALE-HAC	1814P	12.888	----	----	----	1 1/2	208-230/460	1.15	4.8-4.8/2.4	60&50	1725&1425	460	AUTO	N56H, ODP



NIDEC MOTOR CORPORATION 27-Oct-16

REFER TO S.E.I.M. 24-1

REVISION RECORD FOR: ECO: E27108	
DELETED NOTE IN PAGE 3 AND 4	
ISSUED BY: F. GARCIA	ENGINEER APPROVED: M. SCHUETTE

TOLERANCES ON DIMENSIONS (UNLESS OTHERWISE SPECIFIED)	
INCHES .XX = ±.010 .XXX = ±.005	mm
ANGLES X° = ±1°	

NIDEC MOTOR CORPORATION			
INFORMATION DISCLOSED ON THIS DOCUMENT IS CONSIDERED PROPRIETARY AND SHALL NOT BE REPRODUCED OR DISCLOSED WITHOUT WRITTEN CONSENT OF NIDEC MOTOR CORPORATION			
TITLE		CODE	REVISION DATE
CUSTOMER DETAIL DRAWING		V02	27-OCT-16
ITEM NO.	REV	SHEET NUMBER	DWG SIZE
806811	C	1 OF 4	B