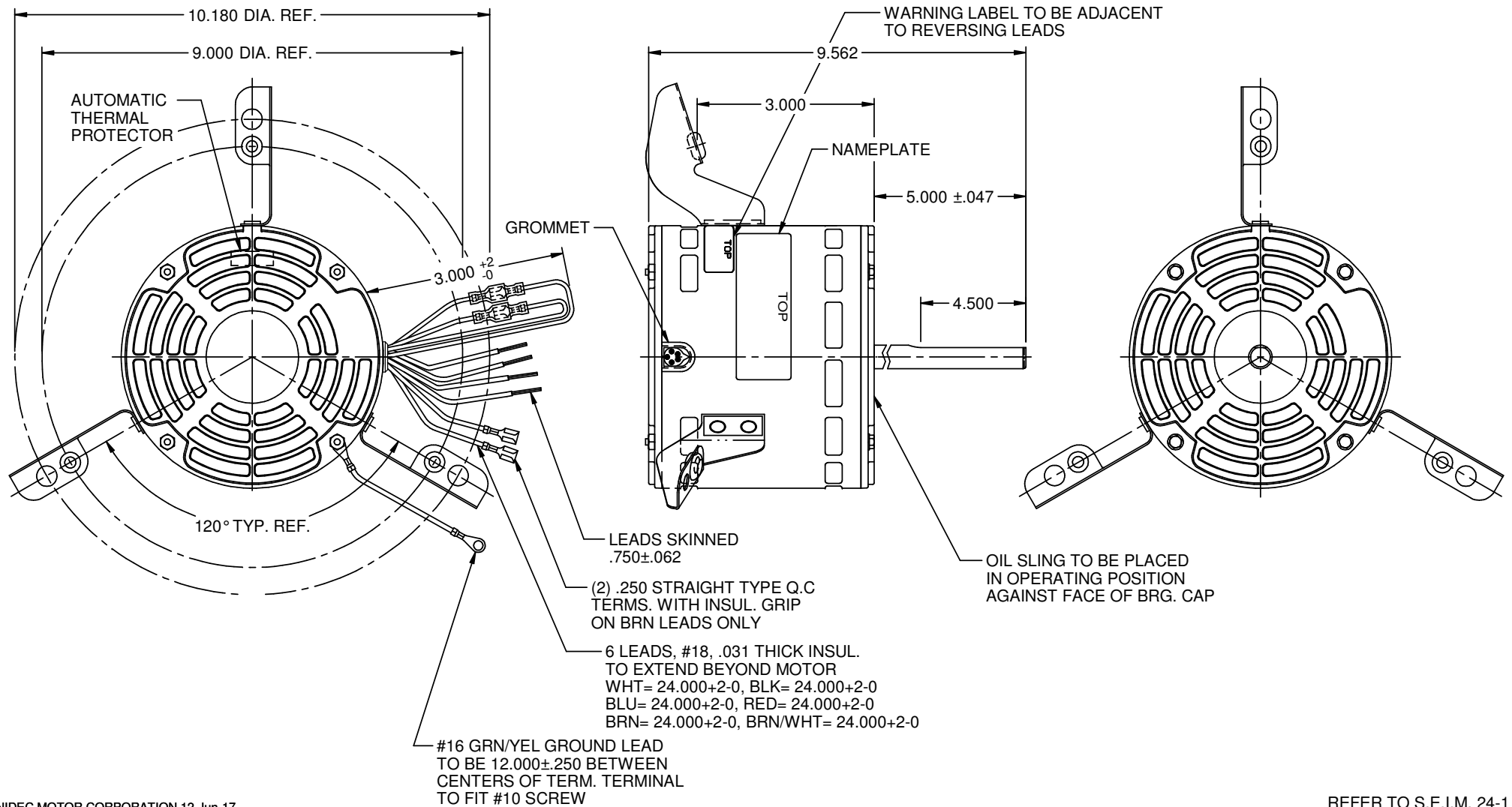


MODEL	REF	CUSTOMER	HP	VOLTS	AMPS	HZ	RPM	ROTATION	CAT. NO.	DESCRIPTION / REMARKS
K55HXLTLT-9490		STANDARD	1/3	115	5	60	1075/3 SPD	CCW. LEAD END REV	3785	



NIDEC MOTOR CORPORATION 12-Jun-17

REFER TO S.E.I.M. 24-1

NEW DRAWING.	REVISION RECORD FOR: E28787
ISSUED BY: B. ANDRADE	ENGINEER APPROVED: H. NAVARRO

DIMENSIONS ARE FOR REFERENCE ONLY

UNLESS TOLERANCE IS SPECIFIED

NIDEC MOTOR CORPORATION			
INFORMATION DISCLOSED ON THIS DOCUMENT IS CONSIDERED PROPRIETARY AND SHALL NOT BE REPRODUCED OR DISCLOSED WITHOUT WRITTEN CONSENT OF NIDEC MOTOR CORPORATION			REVISION DATE: 12-JUN-17
TITLE CUSTOMER DETAIL DRAWING	CODE V02	ITEM NO. 816000	REV -
		SHEET NUMBER 1 OF 3	DWG SIZE B