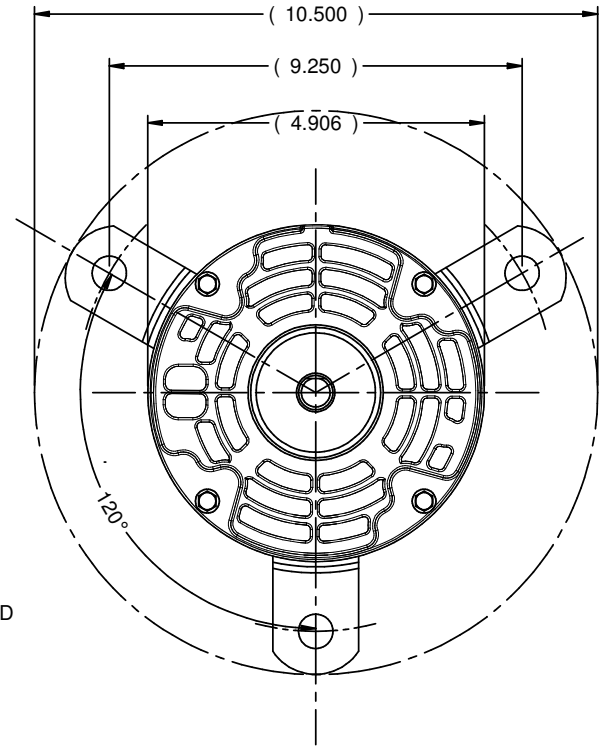
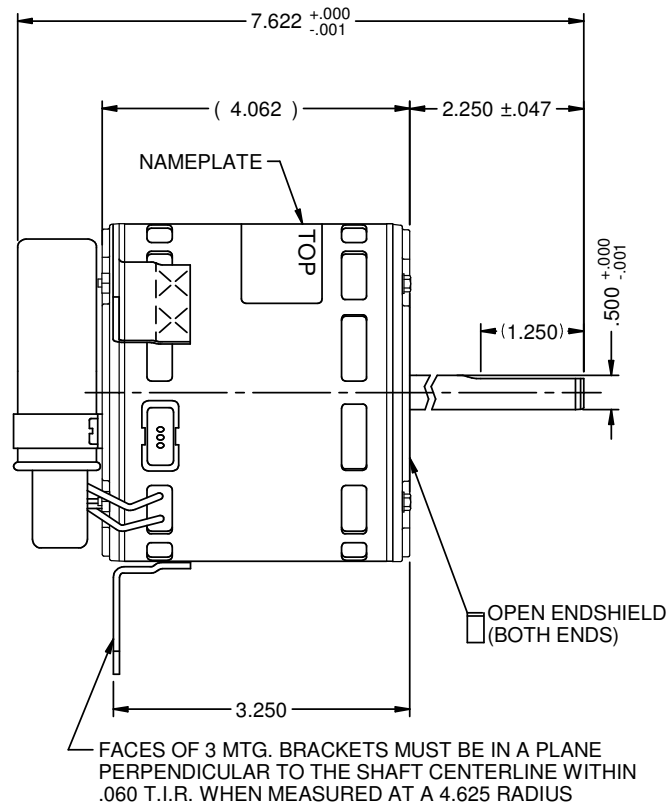
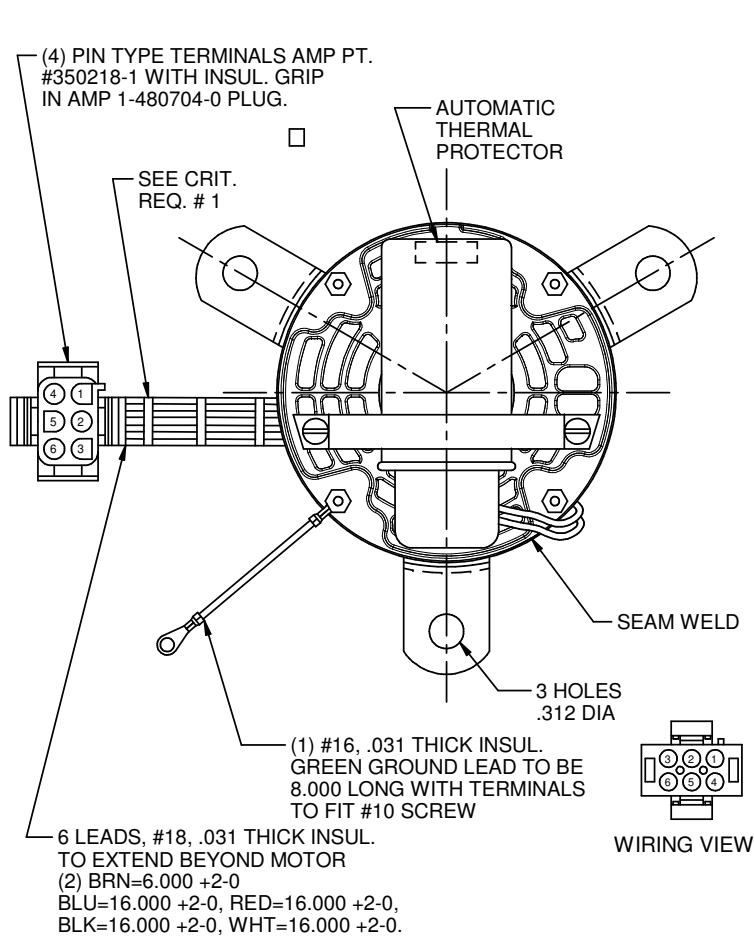


MODEL	REF	CUSTOMER	HP	VOLTS	AMPS	HZ	RPM	ROTATION	CUSTOMER PT. NO.	DESCRIPTION / REMARKS
K48ZZTAW-3623		STANDARD	1/16	277	0.5	60	850/3 SPD	CW LEAD END	1678	K48 S/A BRG. OPEN



NIDEC MOTOR CORPORATION 08-Nov-18

REFER TO S.E.I.M. 24-1

NEW DRAWING.	REVISION RECORD FOR:	ECO: E32643
ISSUED BY:	ENGINEER APPROVED:	
G. ISASSI	Z. TREVIÑO	

DIMENSIONS ARE FOR REFERENCE ONLY

UNLESS TOLERANCE IS SPECIFIED

NIDEC MOTOR CORPORATION			
INFORMATION DISCLOSED ON THIS DOCUMENT IS CONSIDERED PROPRIETARY AND SHALL NOT BE REPRODUCED OR DISCLOSED WITHOUT WRITTEN CONSENT OF NIDEC MOTOR CORPORATION			REVISION DATE:
TITLE			08-NOV-18
CUSTOMER DETAIL DRAWING	CODE	ITEM NO.	REV
V02	823534	-	SHEET NUMBER
			1 OF 3
			DWG SIZE
			B