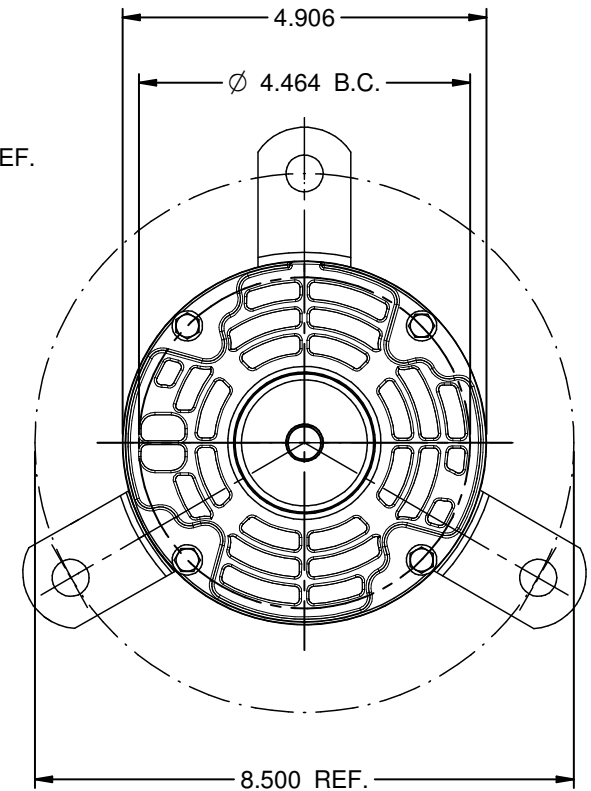
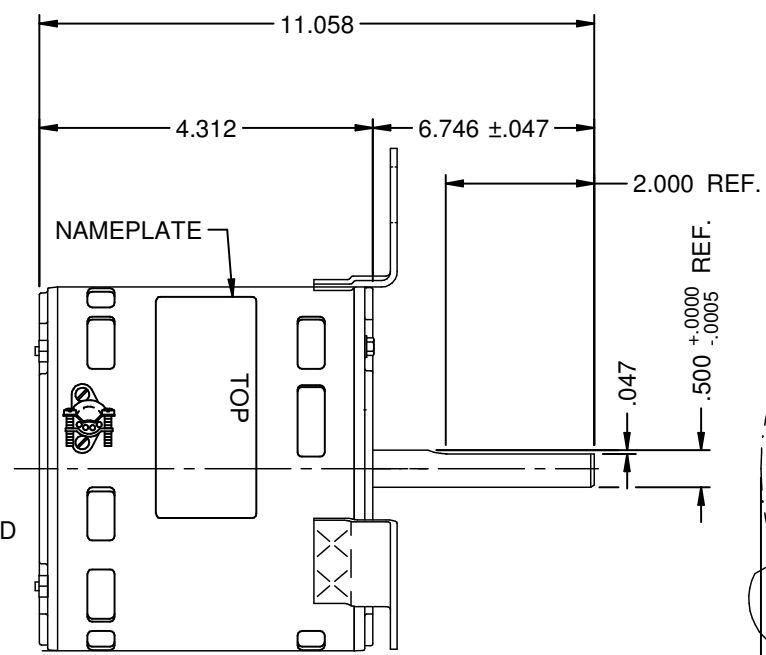
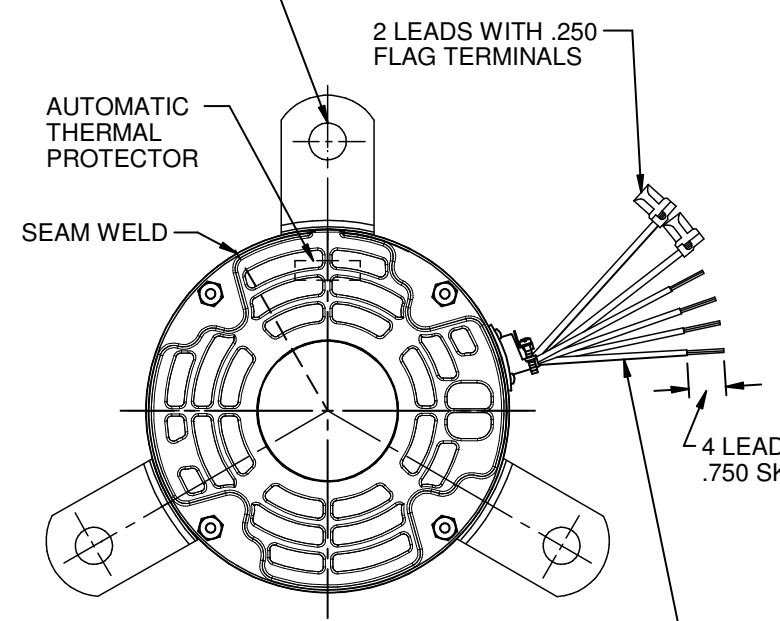
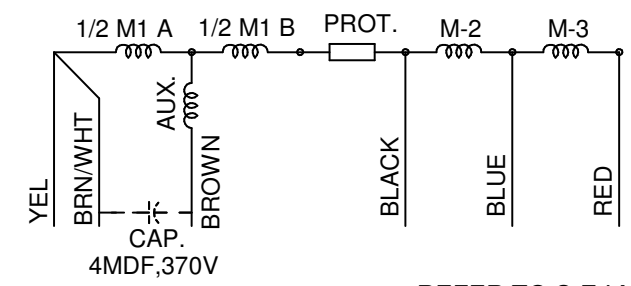


MODEL	REF	CUSTOMER	HP	VOLTS	AMPS	HZ	RPM	ROTATION	CUST. PT. NO	DESCRIPTION / REMARKS
K48ZZTTF-4137	-----	STANDARD	1/20	277	0.55	60	1075/3 SPD	C.C.W. LEAD END	4137	

(3) HOLES .281 DIA.  
ON 8.500 DIA. B.C.



6 LEADS #18, .031 THICK INSUL.  
TO EXTEND BEYOND MOTOR:  
YELLOW=48.000+2-0, BLACK=48.000+2-0,  
BLUE=48.000+2-0, RED=48.000+2-0,  
BROWN=10.000±1.000,  
BROWN/WHITE=10.000±1.000



NIDEC MOTOR CORPORATION 04-Dec-18

REFER TO S.E.I.M. 24-1

REVISION RECORD FOR: ECO: E32195	
CREATED NEW DRAWING	
ISSUED BY: F. GARCIA	ENGINEER APPROVED: P. RODRIGUEZ

DIMENSIONS ARE FOR  
REFERENCE ONLY

UNLESS TOLERANCE  
IS SPECIFIED

NIDEC MOTOR CORPORATION			
INFORMATION DISCLOSED ON THIS DOCUMENT IS CONSIDERED PROPRIETARY AND SHALL NOT BE REPRODUCED OR DISCLOSED WITHOUT WRITTEN CONSENT OF NIDEC MOTOR CORPORATION			
TITLE		CODE	REVISION DATE:
CUSTOMER DETAIL DRAWING		V02	04-DEC-18
ITEM NO.	REV	SHEET NUMBER	DWG SIZE
823544	--	1 OF 3	B