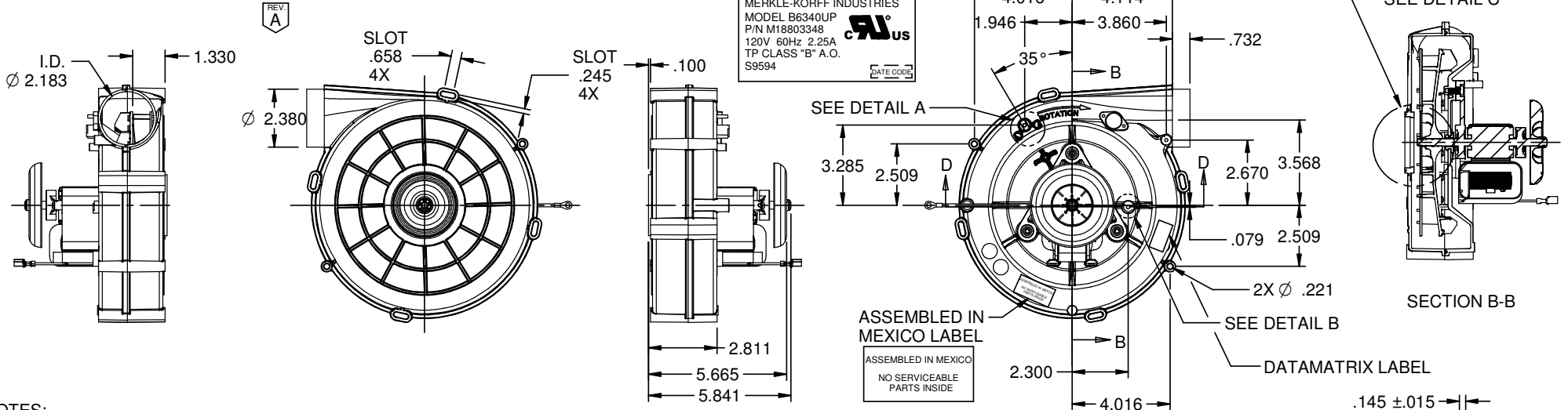


NIDEC PART NUMBER	CUSTOMER	CATALOG NO.	MOTOR PART NO.	VOLTS	HZ	RPM	ROTATION
B188240480001	WHOLESALE - HAC	N180	M18803348	115-120	60	3000	CW LEAD END

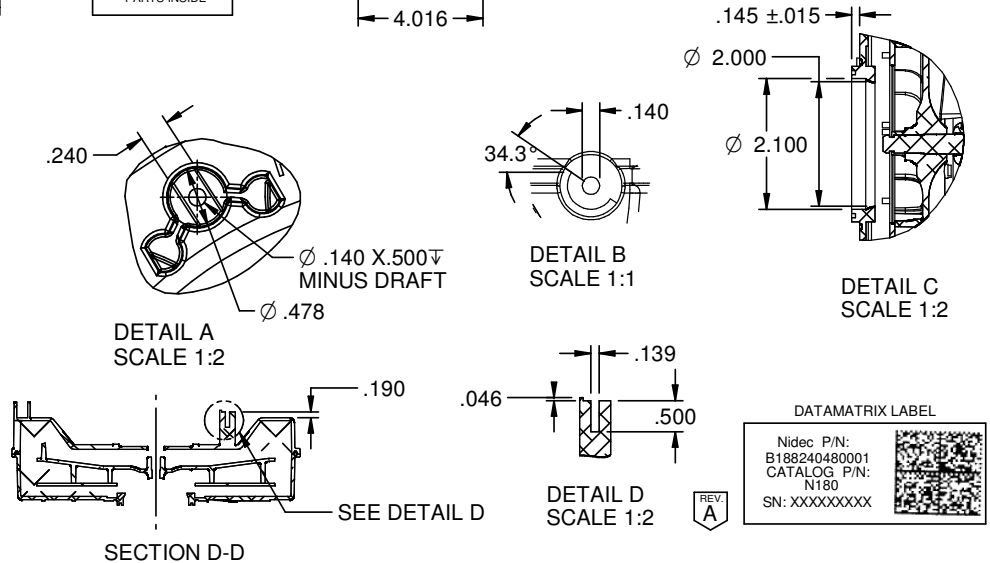
NAMEPLATE

MERKLE-KORFF INDUSTRIES
 MODEL B6340UP
 P/N M18803348
 120V 60Hz 2.25A
 TP CLASS "B" A.O.
 S9594



NOTES:

- MOTOR MUST OPERATE AT 115 VAC +10%/-15% AT 60 Hz
- LEAD MATERIAL 18 GA. 2/64 INS. 125 C X-LINKED POLYETHYLENE U.L. RECOGNIZED STYLE 3173, CSA. APPROVED.
BLACK LEAD 11.50/12.50 LONG WITH .250 INSULATED MALE TERMINAL (AMP 2-520102-2)
WHITE LEAD 11.50/12.50 LONG WITH .250 INSULATED FEMALE TERM (AMP 2-520183-2)
- GROUND LEAD 18 GA 2/64 INS. 105 C PVC U.L. RECOGNIZED STYLE 1015 CSA APPROVED
GREEN/YELLOW LEAD 16.00/18.00 LONG WITH #8 RING TERMINAL (AMP 40724)
- THERMALLY PROTECTED CLASS "B" INSULATION:
- SEALED BALL BEARING: OPERATING TEMPERATURE RANGE -40 F TO 320 F.
- MOTOR SHAFT: 416 S.S.
- HOUSING HALVES TO BE VIBRATION WELDED TOGETHER
- PART TO BE LABELED WITH A BARCODE OR DATAMATRIX WITH NIDEC PART NUMBER, CATALOG PART NUMBER AND NIDEC SERIAL NUMBER. LABEL MAY BE INCORPORATED INTO COMPONENT LABEL OR ADDED AS SEPARATE LABEL. LABEL TO BE FREE OF DEFECTS.
- MAX db WHEN MEASURED 3 FEET FROM FURNACE AT HIGHEST USABLE SPEED IN ANY POSITION: 66
- STATOR LAMINATIONS VARNISHED OR PAINTED TO PROHIBIT RUST.
- NIDEC M18803348 PART NUMBER TO BE INCLUDED ON THE MOTOR NAMEPLATE.



NIDEC MOTOR CORPORATION 31-Jan-19

REFER TO S.E.I.M. 24-1

REVISION RECORD FOR: ECO E33679		TOLERANCES ON DIMENSIONS (UNLESS OTHERWISE SPECIFIED)		NIDEC MOTOR CORPORATION INFORMATION DISCLOSED ON THIS DOCUMENT IS CONSIDERED PROPRIETARY AND SHALL NOT BE REPRODUCED OR DISCLOSED WITHOUT WRITTEN CONSENT OF NIDEC MOTOR CORPORATION				REVISION DATE: 31-JAN-19		
CATALOG NO. WAS UPDATED		INCHES .XX = ± .010 .XXX = ± .005	mm					TITLE: CUSTOMER DETAIL DRAWING		CODE: V02
ISSUED BY: G. TREVIÑO	ENGINEER APPROVED: N. CALVIN	ANGLES X° = ±1°								