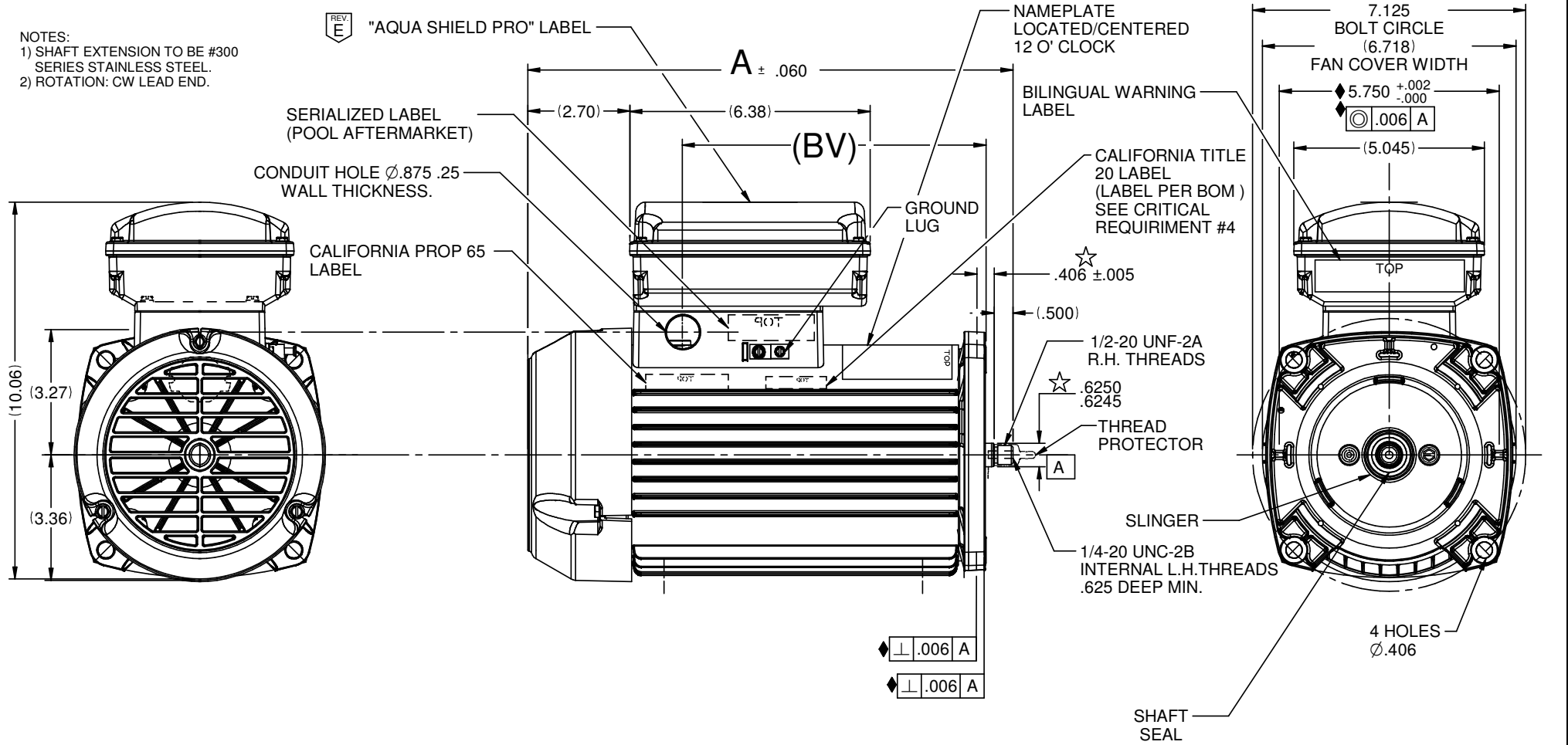


VAR	MODEL	CUSTOMER	CAT. NO	A	BV	THP	VOLTS	AMPS	HZ	RPM	DESCRIPTION / REMARKS
001	K55MWKRS-3369	POOL AFTERMARKET	TEQ125	12.849	8.024	1.25	208-230/115	5.9-5.5/11.0	60	3450	
002	K55MWKRU-3371	POOL AFTERMARKET	TEQ165	13.849	9.024	1.65	208-230/115	8.1-7.2/14.4	60	3450	
003	K55MWKRW-3373	POOL AFTERMARKET	TEQ225	13.849	9.024	2.25	208-230/115	10.5-9.4/18.8	60	3450	
004	K55MWKRZ-3375	POOL AFTERMARKET	TEQ270	12.849	8.024	2.70	208-230	11.6-11.3	60	3450	
005	K55MWURR-1288	POOL AFTERMARKET	TEQ345	13.849	9.024	3.45	208-230	15.2-14.9	60	3450	

- NOTES:
1) SHAFT EXTENSION TO BE #300 SERIES STAINLESS STEEL.
2) ROTATION: CW LEAD END.



NIDEC MOTOR CORPORATION 16-Dec-19

REFER TO S.E.I.M. 24-1

REVISION RECORD FOR: ECO: E36004	
CHANGED FROM "AQUA SHIELD" LABEL TO "AQUA SHIELD PRO" LABEL.	
ISSUED BY: F. GARCIA	ENGINEER APPROVED: S. SCHINZING

TOLERANCES ON DIMENSIONS (UNLESS OTHERWISE SPECIFIED)	
INCHES .XX = ± .010 .XXX = ± .005	mm
ANGLES X° = ± 1°	

NIDEC MOTOR CORPORATION			
INFORMATION DISCLOSED ON THIS DOCUMENT IS CONSIDERED PROPRIETARY AND SHALL NOT BE REPRODUCED OR DISCLOSED WITHOUT WRITTEN CONSENT OF NIDEC MOTOR CORPORATION			
TITLE		CODE	REVISION DATE: 16-DEC-19
CUSTOMER DETAIL DRAWING		V02	16-DEC-19
ITEM NO.	REV	SHEET NUMBER	DWG SIZE
825915	E	1 OF 7	B